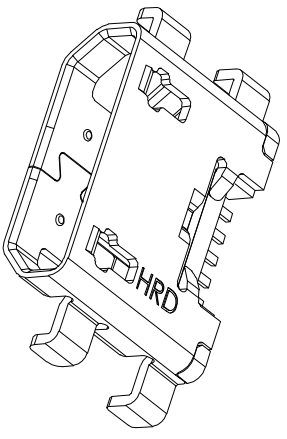
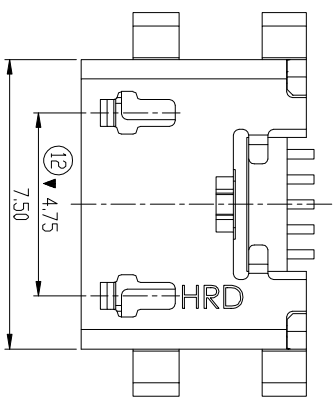
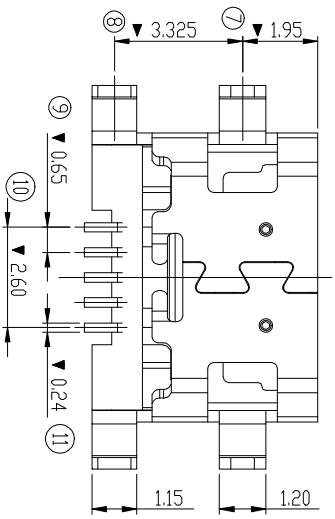


RECOMMENDED PCB LAYOUT
TOLERANCE: ±0.05



- NOTES:
- 1.MATERIAL:
HOUSING: LCP UL 94V-0 BLACK
CONTACT: C2680-EH,T=0.15mm
SHELL: SUS304-3/4H,T=0.30mm
 - 2.FINISH:
CONTACT: GOLD PLATE ON CONTACT AND SOLDER TAIL,
50μ" MIN NICKEL ON ALL SURFACE.
 - 3.PRODUCT SPECIFICATIONS:
3-1 Voltage: 12V AC
3-2 Current rating: PIN AND PINS 25A/DIHER PIN 10A
3-3 OPERATION TEMPERATURE: -45°TD +85°
3-4 STORAGE TEMPERATURE: -45°TD +85°
3-5 INSERT FORCE: 35N MAX.
3-6 EXTRACT FORCE: 8N MIN
3-7 DURABILITY: 10000 CYCLES
 - 4.ALL DIMENSIONS MARKED ▼ MUST BE CONTROLLED BY QC.

- TYPE: 2-刃鍍型 1.30H DIP
- COLOR: B-BLACK
- PIN NO.: 05-Spin
- HEIGHT: 25=2.5mm
- FINISH:
F-GOLD FLASH-SHELL(TIN)
A-50μ" MIN GOLD
B-100μ" MIN GOLD
C-150μ" MIN GOLD
D-300μ" MIN GOLD
G-GOLD FLASH

REV.	ECN NO.	DESCRIPTION	DATE	UNITS	GENERAL TOLERANCE	DRAW.	PART NO.
D	E1612002A	主料变更物料	12/05/2016	mm	X* ±0.30 X* ±0.20 XX ±0.10 XXX ±0.05	CHECKED	U08-2B05X253
C	E1608321A	制程改善物料	08/06/2016	mm	X* ±0.30 X* ±0.20 XX ±0.10 XXX ±0.05	APPROVE:	
B	E1503157A	端子规格变更	03/31/2015	mm	X* ±0.30 X* ±0.20 XX ±0.10 XXX ±0.05	SEE NOTE	



F

E

D

C

B

A

1 2 3 4 5 6 7 8