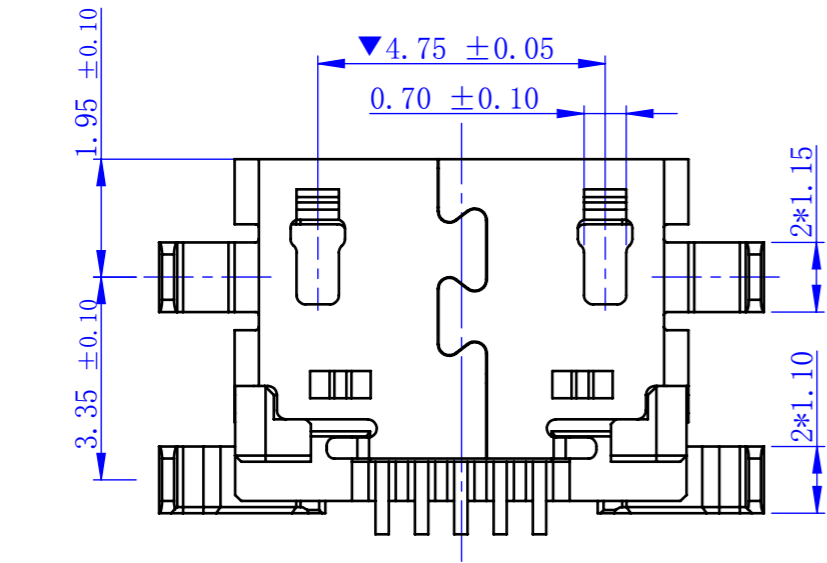
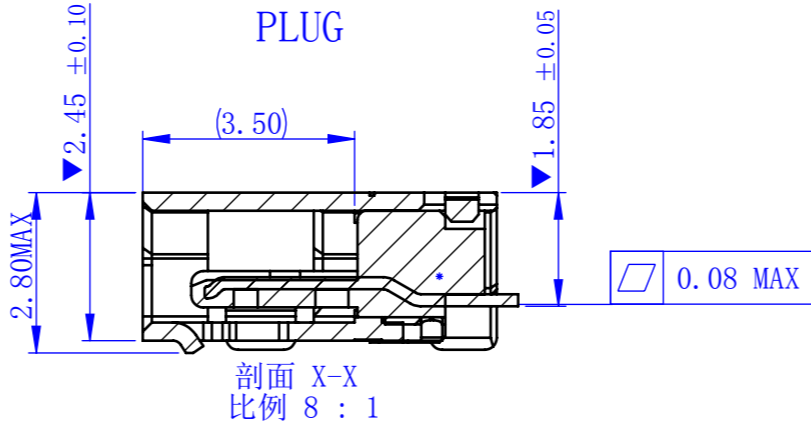
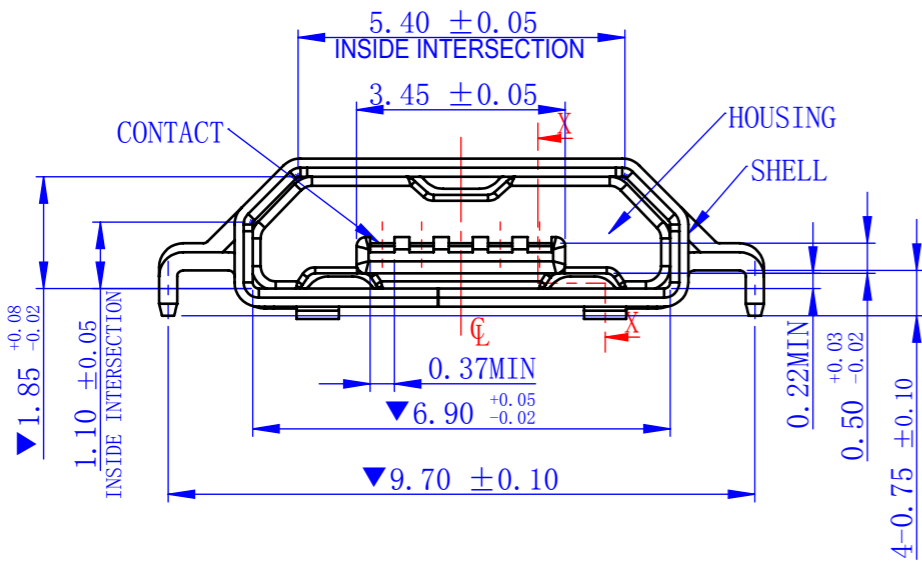


RECOMMENDED PCB LAYOUT
TOLERANCE: ± 0.05 STENCIL THICKNESS 0.10mm

NOTES:

- MATERIAL:
HOUSING: THERMOPLASTIC, LCP-471I, COLOR: BLACK;
CONTACT: COPPER ALLOY, C2680, T=0.20mm;
SHELL: STAINLESS STEEL, SUS304, T=0.30mm;
- FINISH:
CONTACT: 1u" AU MIN PLATED ON CONTACT AREA,
PLATED Sn 100u" MIN ON SOLDER AREA,
50u" NI MIN UNDERPLATED OVERALL
SHELL: 50u" NI MIN UNDERPLATED OVERALL
100u" MIN MATTE Sn PLATED OVERALL
- PRODUCT SPECIFICATIONS:
3-1 Voltage: 12V AC
3-2 Current: 3A.
3-3 CONTACT RESISTANCE: 50 MILL. OHM MAX
3-4 INSERT FORCE: 8-25N
3-5 EXTRACT FORCE: 8-25N
3-6 DURABILITY: 10000 CYCLES
3-3 OPERATION TEMPERATURE: -45° TO +85°
3-4 STORAGE TEMPERATURE: -45° TO +85°

- ALL DIMENSIONS MARKED ▼ MUST BE CONTROLLED BY QC.
- GP PASSED ACCORD WITH HRD-RoHS-219 STANDARD.
- ALL DIMENSIONS MARKER (XX) MUST BE MEASURE BY FAI.



CONTACT NO.	SIGNAL NO.
1	VBUS
2	D-
3	D+
4	ID
5	GND
SHELL	SHIELD

				UNITS: mm	GENERAL TOLERANCE		DRAW:	PART NO: U29-DB05F250
				DATE: 01/06/2018	X. ± 0.25	X° $\pm 5.00^\circ$	CHECKED:	TITLE: MICRO USB 5PIN 板上1.85mm 全插---直边
				SCALE: 10/1	.X ± 0.15	.X° $\pm 3.00^\circ$	APPROVE:	DRAWING NO:
					.XX ± 0.10	.XX° $\pm 1.0^\circ$		
					.XXX ± 0.05			
A	---	NEW	01/06/2018	SHEET: 1/1	MATERIAL: SEE NOTE			昆山捷皇电子精密科技有限公司 HONGRIDA ELECTRONIC TECHNOLOGY CO.,LTD.
REV.	ECN NO.	DESCRIPTION	DATE	REV. A	FINISH: SEE NOTE			