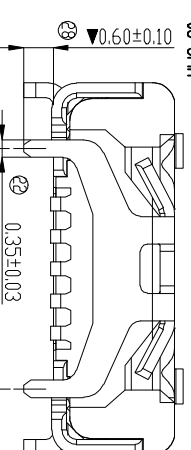
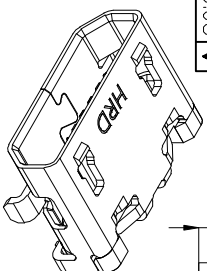
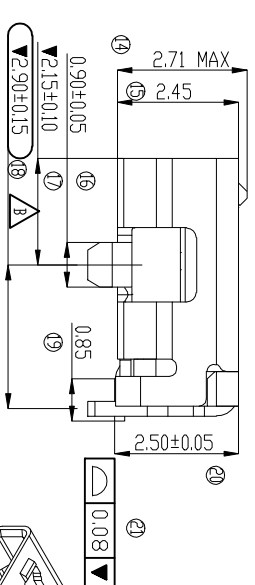
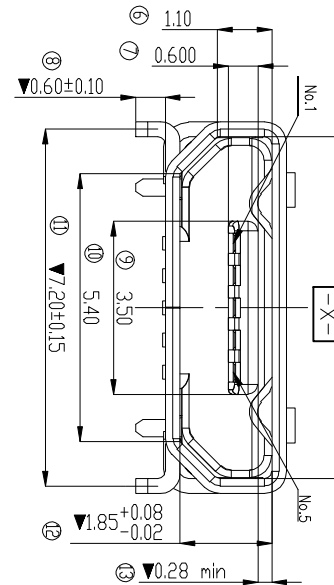


RECOMMENDED PCB LAYOUT (TOP VIEW)  
GENERAL TOLERANCE (±0.05)



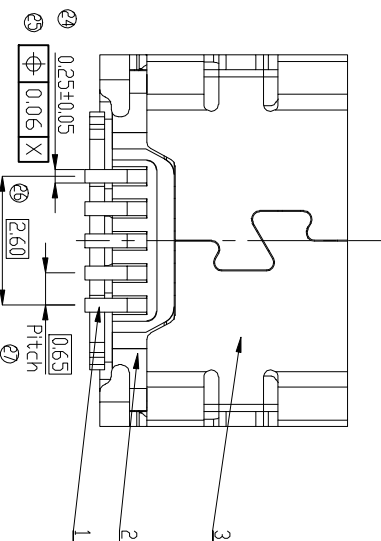
NOTES:  
SPECIFICATION:  
1. CURRENT RATING: 6P/1N AND PINS 2,5A, OTHER PIN 10A  
2. VOLTAGE: 12V AC  
3. TEMPERATURE RANGE: -30°C-85°C  
4. CONTACT RESISTANCE: 30 MILLIONHM MAX  
5. DIELECTRIC WITHSTANDING VOLTAGE: 200V r.m.s.  
6. INSULATION RESISTANCE: 100 MEGOHMS MIN  
7. INSERT FORCE: 8N MAX  
8. INSERT FORCE: 8N MIN  
9. DURABILITY: 10000 CYCLES  
10. ALL DIMENSIONS MARKED ▼ MUST BE CONTROLLED BY QC  
11. ALL DIMENSIONS MARKED ⊗ MUST BE MEASURED BY FAI.  
12. This mark ⊗ is 'CPK' control size, at least 30PCS should be measured, CPK value should be ≥1.33

PART NO: U11-1 B 05 X 25 2

TYPE: 1=鍍上層 DIP  
COLOR: B=BLACK  
FINISH: G-10' MIN AU ON CONTACT AREA  
HEIGHT: 25-2.45mm  
PINS: 05-5P/1N

| Contact Number | Signal Name |
|----------------|-------------|
| No.1           | VBUS        |
| No.2           | D-          |
| No.3           | D+          |
| No.4           | ID          |
| No.5           | GND         |

| NO. | DESCRIPTION | MATERIAL                    | REMARKS   | QTY  |
|-----|-------------|-----------------------------|---|------|
| 1   | CONTACT     | COPPER ALLOY<br>T=0.20mm    | AU PLATING ON CONTACT AREA<br>Sn PLATING ON SOLDER AREA | 1SET |
| 2   | HOUSING     | High temperature plastic    | BLACK   | 1PCS |
| 3   | SHELL       | STAINLESS STEEL<br>T=0.30mm | Au/NI Plated  | 1PCS |



| REV. | EON NO. | DESCRIPTION | DATE       | REV. | FINISH | SEE NOTE |
|------|---------|-------------|------------|------|--------|----------|
| B    |         | 增加PK尺寸控制    | 11/12/2019 | B    |        |          |

| UNITS | GENERAL TOLERANCE | DRAW | PART NO.     |
|-------|-------------------|------|--------------|
| mm    |                   |      | U11-1B05G252 |

| DATE       | CHECKED | TITLE          |
|------------|---------|----------------|
| 05/11/2017 | X       | MICRO USB 5PIN |

| SCALE  | APPROVE: | DRAWING NO. |
|--------|----------|-------------|
| 10 / 1 | XX       | 增加PK尺寸控制    |

| SHEET | MATERIAL  |
|-------|-----------|
| 1 / 1 | XXX ±0.05 |

鸿日达科技股份有限公司  
 HONGRIDA ELECTRONIC TECHNOLOGY CO.,LTD.