

A

B

C

D

E

F

A

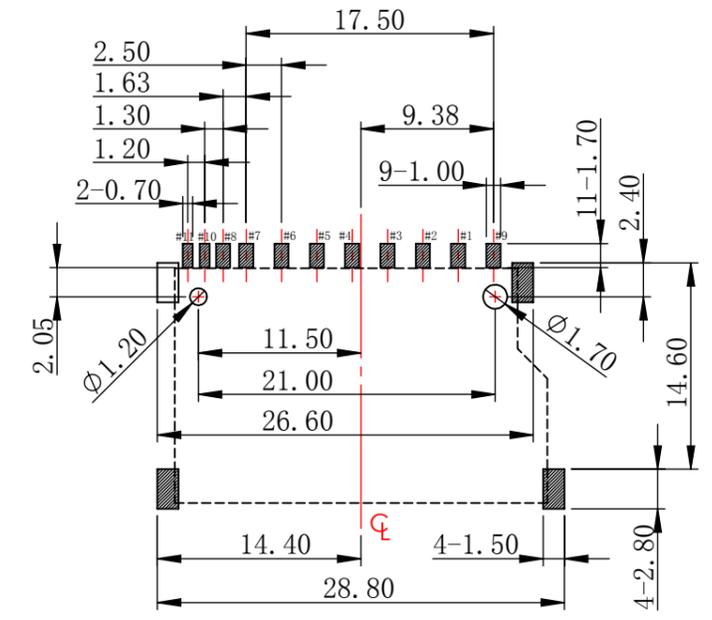
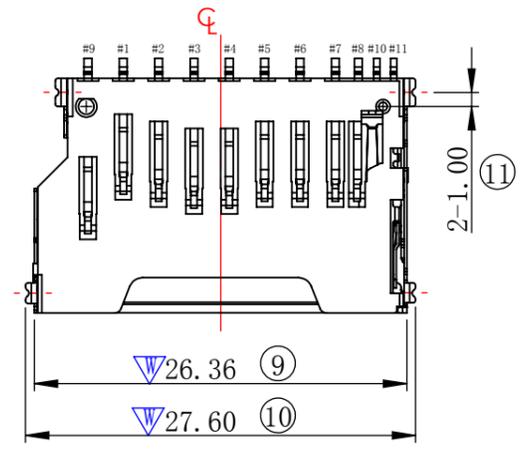
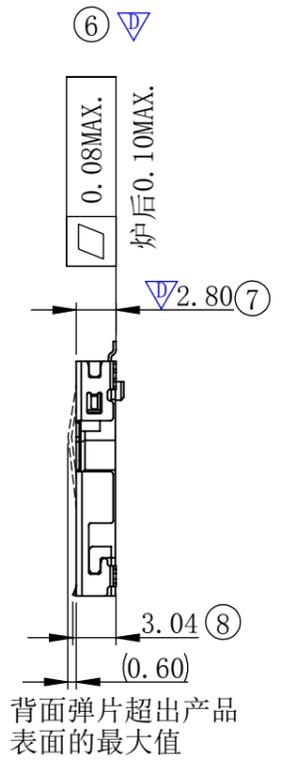
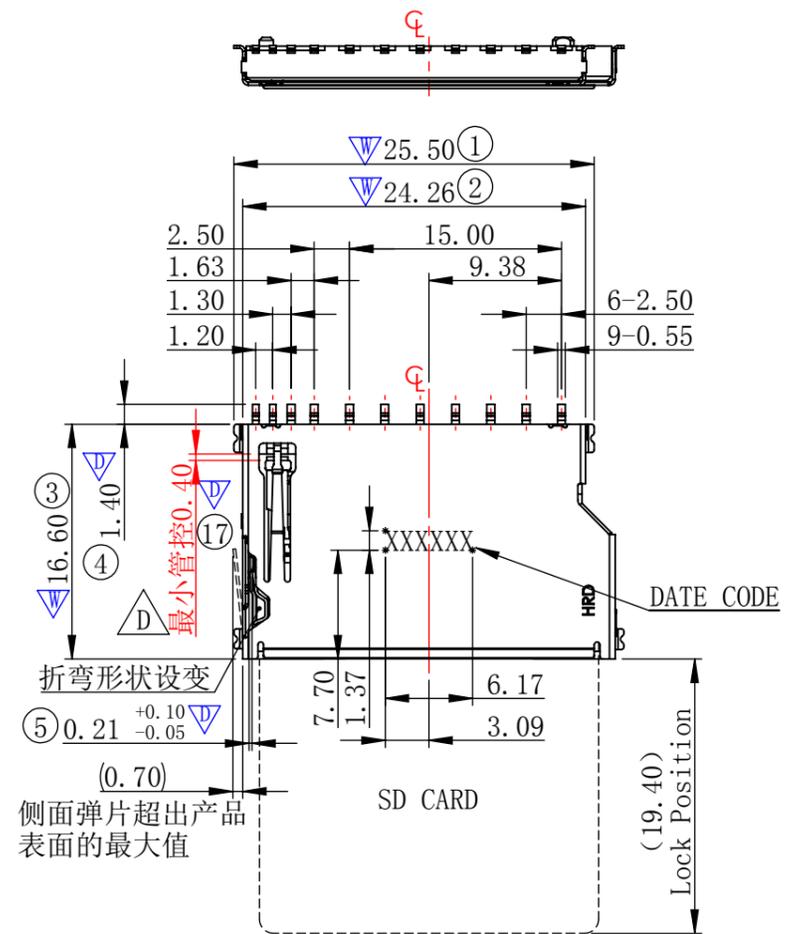
B

C

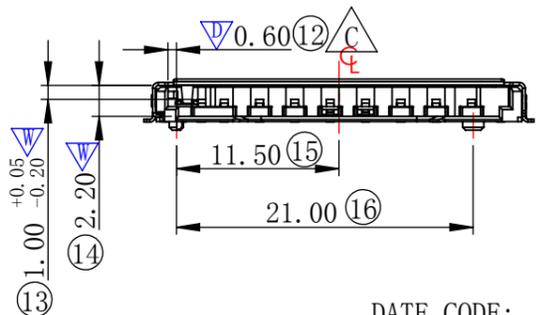
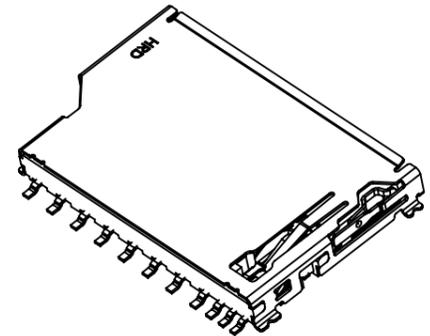
D

E

F



PAD AREA
 NO PARTS AREA
 NO TRACE, NO GND, NO VIA HOLE,
 NO TEST POINT IN THE LAYOUT
 OF THE PRODUCT



DATE CODE:
XXXXXX

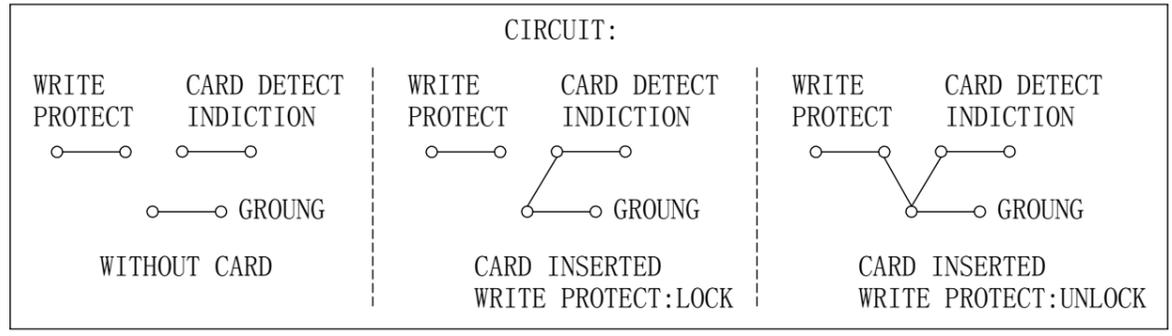
17=2017年
18=2018年
19=2019年

线别 (A=A线、B=B线...)
班别 (1=白班, 2=夜班)

5=5日
9=9日
A=10日
(WITH OUT I, O, Z)

5=5月
9=9月
A=10月

PIN NO.	NAME	DESCRIPTION
#1	CD/TAD3	CARD DETECT/DATA I/O
#2	CMD	COMMAND
#3	VSSI	GROUND
#4	VDD	POWER
#5	CLK	CLOCK
#6	VSS2	GROUND
#7	DAT0	DATA I/O
#8	DAT1	DATA I/O
#9	DAT2	DATA I/O
#10	CD PIN	
#11	W/P PIN	



NOTES:

- MATERIAL:
HOUSING:LCP, BLACK, UL 94V-0
CONTACT:C5210-SH, T=0.20mm
SHELL:SUS304-3/4H, T=0.15mm
- REFLOW SOLDER CAPABLE TO 260°C
- FINISH
Terminal:Ni 50u"MIN UNDERPLATE OVER ALL
Au 1u"Min PLATING ON CONTACT AREA
Au 2u"Min PLATING ON SOLDER AREA
SHELL:Ni 50u"MIN UNDERPLATE OVER ALL
- ALL DIMENSIONS MARKED ▼ MUST BE CONTROLLED BY QC.
- ALL DIMENSIONS MARKER (XX) MUST BE MEASURE BY FAI.

REV.	ECN NO.	DESCRIPTION	DATE	REV.	FINISH:	SEE NOTE
D	E1910601A	检测PIN处增加尺寸管控	10/11/2019	UNITS:	mm	GENERAL TOLERANCE
C	E1811513A	结构变更,更新图纸	12/11/2018	DATE:	03/09/2018	X. ±0.20 X.° ±2.00
B	E1803072A	结构变更,更新图纸	03/09/2018	SCALE:	2 / 1	.X ±0.15 .X° ±1.00
A		NEW	11/23/2017	SHEET:	1 / 1	.XX ±0.10 .XX° ±0.50
				TITLE:	ASSEMBLY DRAWING	.XXX ±0.05 .XXX° ±0.10
				REV.	A	

昆山捷皇电子精密科技有限公司
 HONGRIDA ELECTRONIC TECHNOLOGY CO.,LTD.