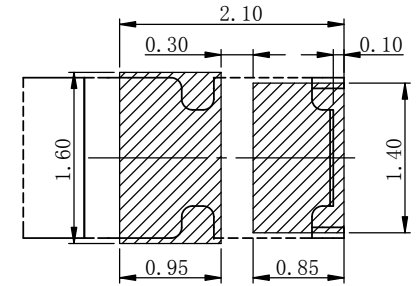
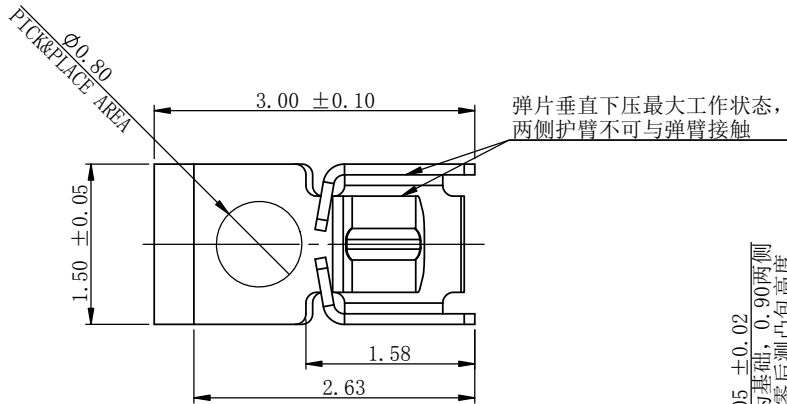
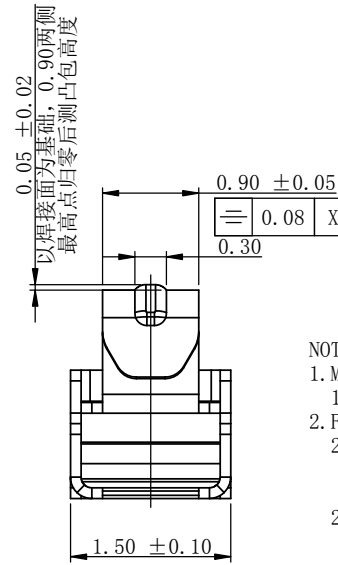
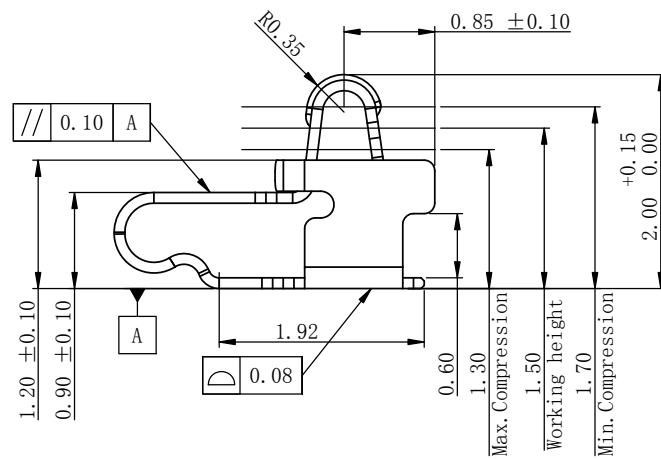


3D VIEW

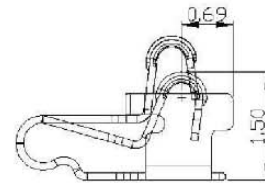
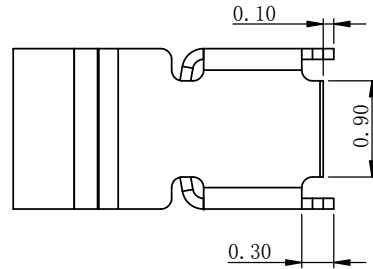


RECOMMENDED PCB LAYOUT
TOLERANCE ± 0.05MM

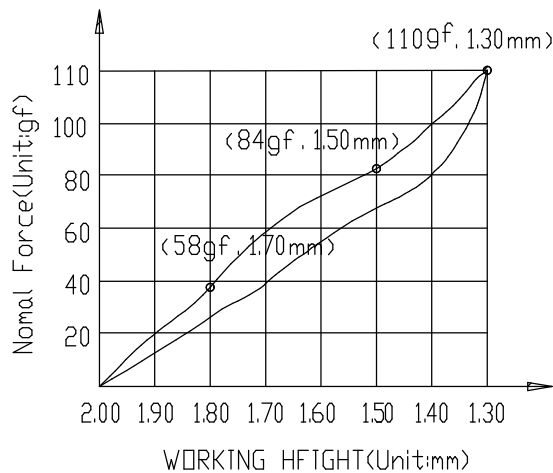


NOTES:

- MATERIAL:
 - SUS301-EH, T=0.10mm
- FINISH:
 - 1: 15u"MIN Au PLATING ON CONTACT AREA, 1u"MIN Au PLATING ON SOLDER TAILS, 50u~150u" NICKEL UNDERPLATING OVER ALL.
 - 2: DIMENSIONS WITHOUT TOLERANCE PLEASE REFER TO TOLERANCE TABLE STRUCTURE WITHOUT DIMENSIONS PLEASE REFER TO 3D DRAWING.
 - 3: DIMENSIONS OF PCB PAD AND STENCIL ARE FOR REFERENCE ONLY, CUSTOMERS CAN MODIFY IF BY THEIR OWN.
 - 4: THE BURRS IS NOT MORE THAN 0.03MM.
- SPECIFICATIONS:
 1. RATING CURRENT: 2A.
 2. RATING VOLTAGE: 10V.
 3. CONTACT RESISTANCE: 50mΩ MAX.
 4. OPERATING TEMPERATURE: -45° C ~ +85° C.
 5. FORCE AT MAX. DEFLECTION: 0.70N Min ON WORKING HEIGHT.
- RE PERFORMANCE:
 1. IMPEDANCE: 500HM.
 2. VSWR: 1.5MAX (DC~3GHz)
 3. INSERTION LOSS: 0.6dBMAX. (DC~3GHz)
- DURABILITY: 1500 CYCLES.
- PACKING SPECIFICATION: REEL & TAPE.

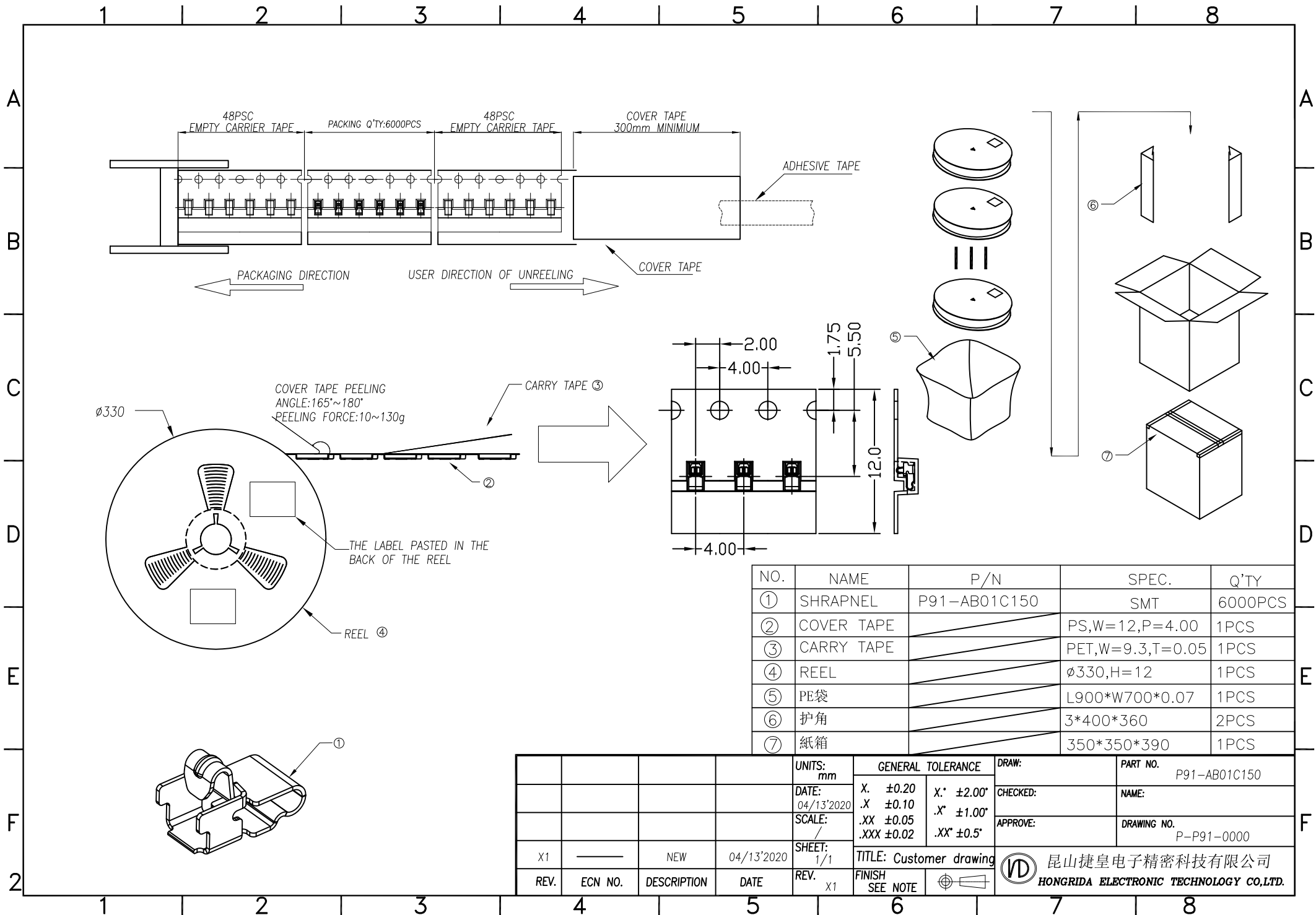


State at
working height 150mm



				UNITS: mm	GENERAL TOLERANCE		DRAW:	PART NO: P91-AB01C150
				DATE: 04/09/2020	X. ±0.35	X." ±2.00'	CHECKED:	NAME: 弹片 3.00*1.50*2.00mm
				SCALE: 20/1	X ±0.25	X' ±1.00'	APPROVE:	DRAWING NO: C-P91-0000
X1		NEW	04/09/2020	SHEET: 1/1	TITLE: CUSTOMER-DRAWING		昆山捷皇电子精密科技有限公司 HONGRIDA ELECTRONIC TECHNOLOGY CO., LTD.	
REV.	ECN NO.	DESCRIPTION	DATE	REV. X1	FINISH: SEE NOTE			





NO.	NAME	P/N	SPEC.	Q'TY
①	SHRAPNEL	P91-AB01C150	SMT	6000PCS
②	COVER TAPE		PS,W=12,P=4.00	1PCS
③	CARRY TAPE		PET,W=9.3,T=0.05	1PCS
④	REEL		∅330,H=12	1PCS
⑤	PE袋		L900*W700*0.07	1PCS
⑥	护角		3*400*360	2PCS
⑦	纸箱		350*350*390	1PCS

				UNITS: mm	GENERAL TOLERANCE		DRAW:	PART NO. P91-AB01C150
				DATE: 04/13'2020	X. ±0.20	X.* ±2.00'	CHECKED:	NAME:
				SCALE: /	.X ±0.10	.X' ±1.00'	APPROVE:	DRAWING NO. P-P91-0000
				SHEET: 1/1	.XX ±0.05	.XX' ±0.5'	TITLE: Customer drawing	
X1		NEW	04/13'2020	REV. X1	FINISH SEE NOTE	昆山捷皇电子精密科技有限公司 HONGRIDA ELECTRONIC TECHNOLOGY CO.,LTD.		