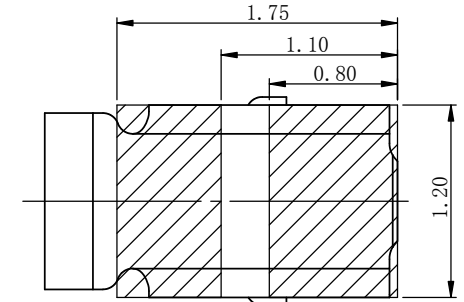
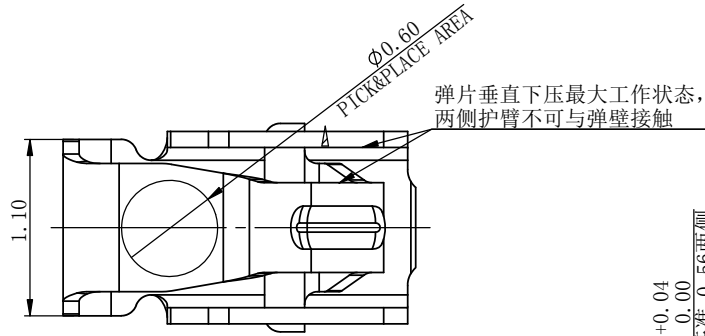
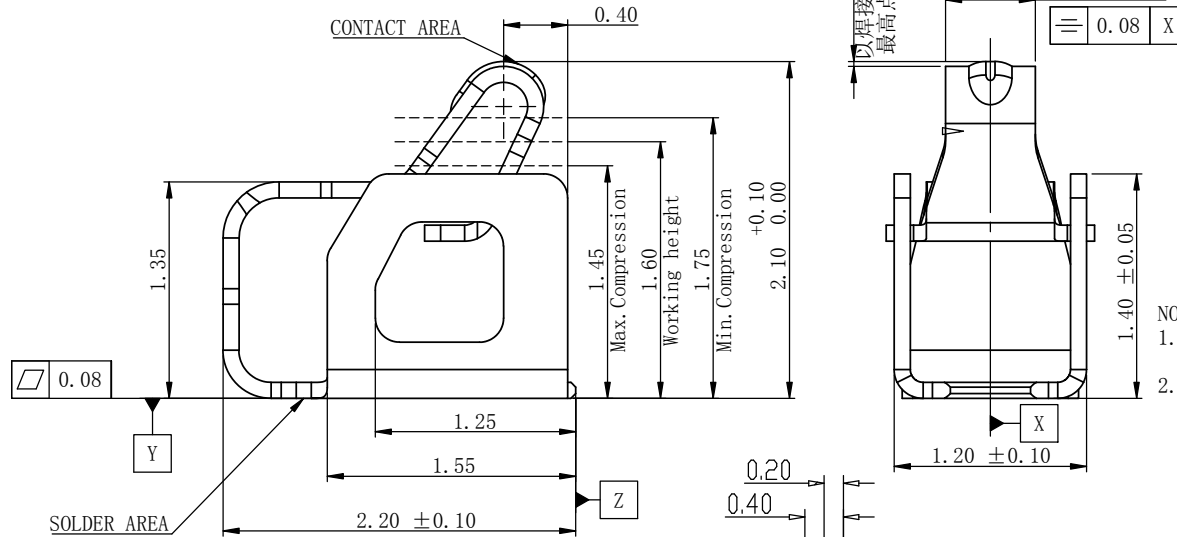


3D VIEW

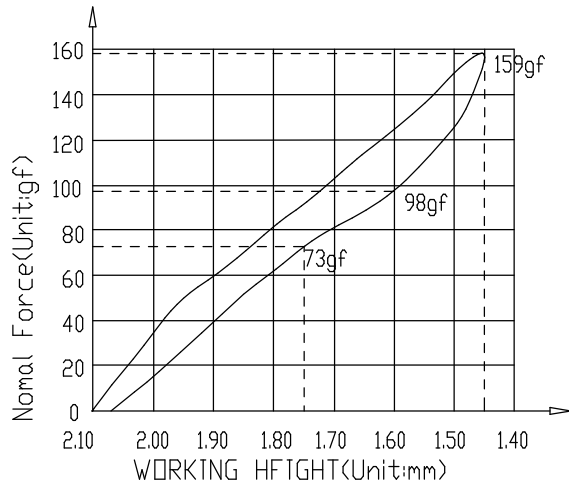


RECOMMENDED PCB LAYOUT
TOLERANCE $\pm 0.05\text{MM}$



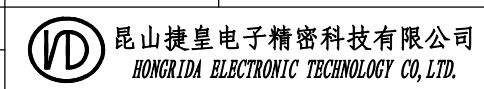
NOTES:

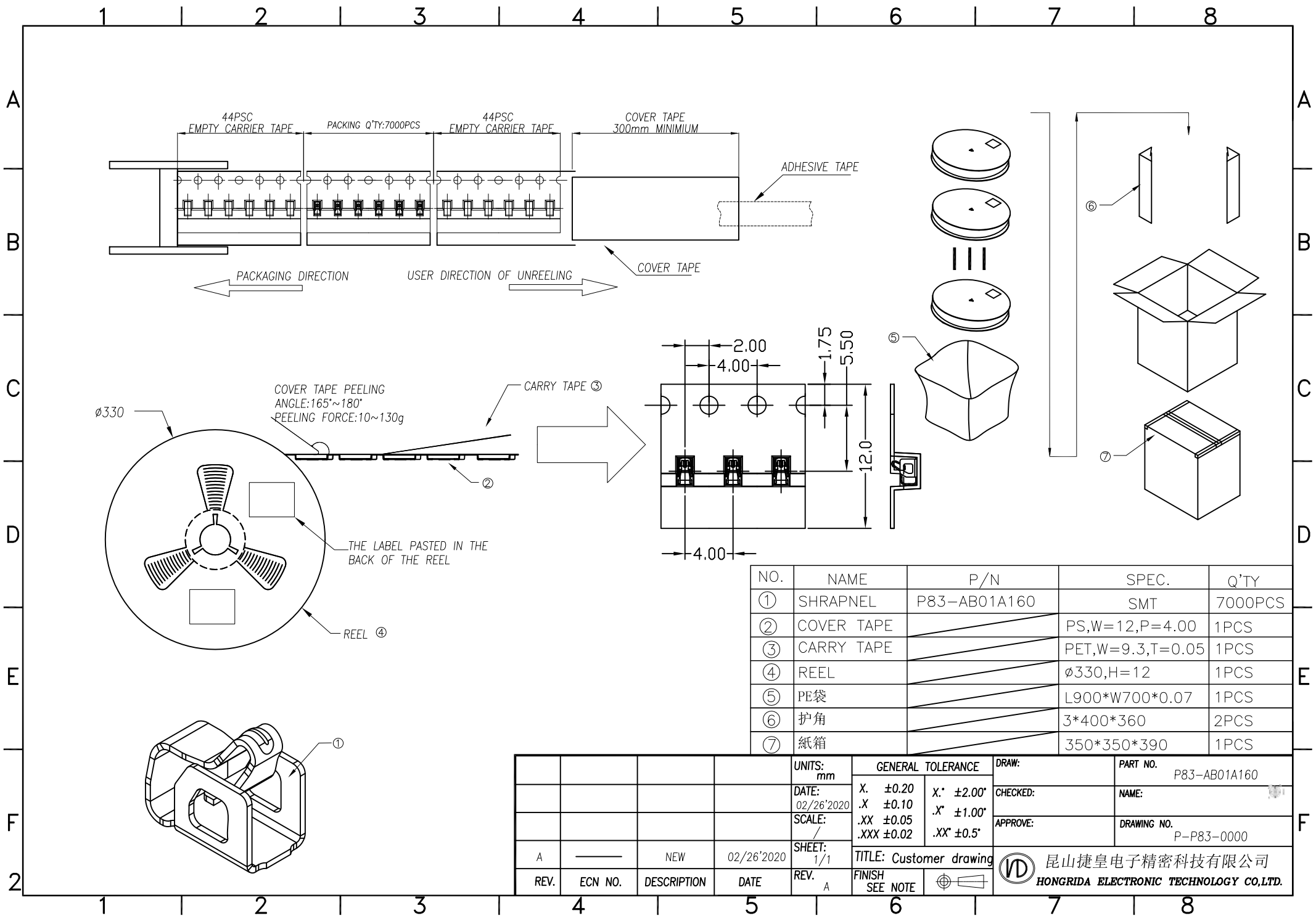
- MATERIAL:
1-1: STAINLESS STEEL, T=0.10mm
- FINISH:
2-1: 4u"MIN Au PLATING ON CONTACT AREA, 1u"MIN Au PLATING ON SOLDER TAILS, 50u~120u" NICKEL UNDERPLATING OVER ALL.
2-2: DIMENSIONS WITHOUT TOLERANCE PLEASE REFER TO TOLERANCE TABLE STRUCTURE WITHOUT DIMENSIONS PLEASE REFER TO 3D DRAWING.
2-3: DIMENSIONS OF PCB PAD AND STENCIL ARE FOR REFERENCE ONLY, CUSTOMERS CAN MODIFY IF BY THEIR OWN.
- SPECIFICATIONS:
3-1. RATING CURRENT: 2A.
3-2. RATING VOLTAGE: 10V.
3-3. CONTACT RESISTANCE: 30mΩ MAX.
AFTER DURABILITY ENVIRONMENT: $\Delta R=20\text{m}\Omega$
3-4. OPERATING TEMPERATURE: -45° C ~ +85° C.
3-5. FORCE AT MAX. DEFLECTION: 0.70N Min ON WORKING HEIGHT.
- DURABILITY: 1500 CYCLES.
- PACKING SPECIFICATION: REEL & TAPE.



STATE AT MAX. WORKING HEIGHT 1.45MM

				UNITS: mm	GENERAL TOLERANCE		DRAW:	PART NO:
				DATE: 02/26/2020	X. ± 0.35	X." ± 2.00	CHECKED:	P83-AB01A160
				SCALE: 20 / 1	.X ± 0.25	.X" ± 1.00	APPROVE:	NAME: 弹片 2.20*1.20*2.10mm
				SHEET: 1 / 1	.XX ± 0.10	.XX" ± 0.50		DRAWING NO: C-P83-0000
				REV. A	.XXX ± 0.05	.XXX" ± 0.25		
REV.	ECN NO.	DESCRIPTION	DATE	TITLE: CUSTOMER-DRAWING	FINISH: SEE NOTE			





NO.	NAME	P/N	SPEC.	Q'TY
①	SHRAPNEL	P83-AB01A160	SMT	7000PCS
②	COVER TAPE		PS,W=12,P=4.00	1PCS
③	CARRY TAPE		PET,W=9.3,T=0.05	1PCS
④	REEL		∅330,H=12	1PCS
⑤	PE袋		L900*W700*0.07	1PCS
⑥	护角		3*400*360	2PCS
⑦	纸箱		350*350*390	1PCS

				UNITS: mm	GENERAL TOLERANCE		DRAW:	PART NO. P83-AB01A160
				DATE: 02/26'2020	X. ±0.20	X' ±2.00'	CHECKED:	NAME:
				SCALE: /	.X ±0.10	.X' ±1.00'	APPROVE:	DRAWING NO. P-P83-0000
				SHEET: 1/1	.XX ±0.05	.XX' ±0.5'	TITLE: Customer drawing	
A		NEW	02/26'2020	REV. A	FINISH SEE NOTE	昆山捷皇电子精密科技有限公司 HONGRIDA ELECTRONIC TECHNOLOGY CO.,LTD.		