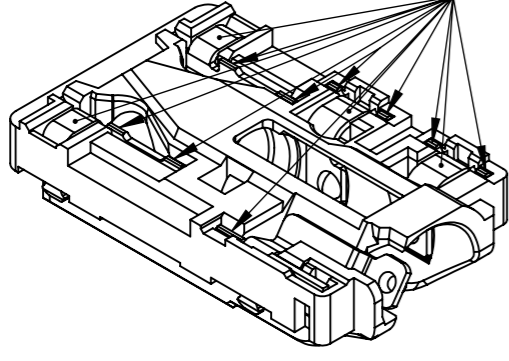
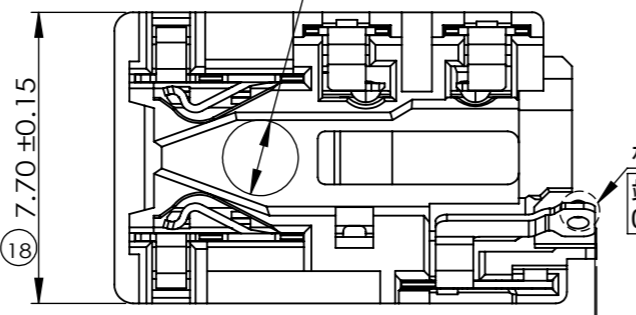


▼预断/折弯/弹片位置
对应机壳需做绝缘或避位处理
▼预断及折弯不得超出胶面



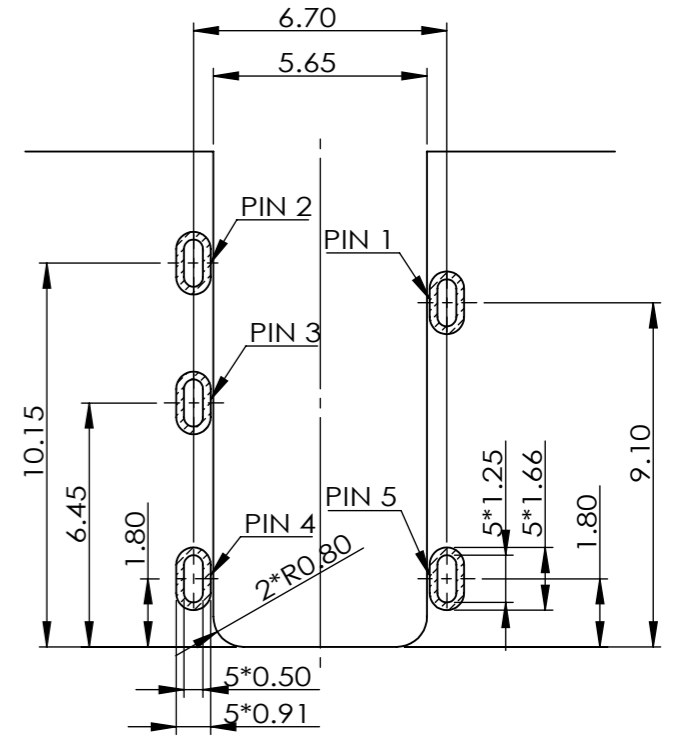
∅2.00吸件区域ref.



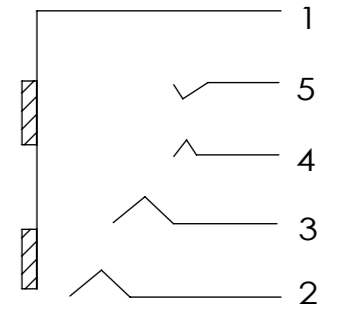
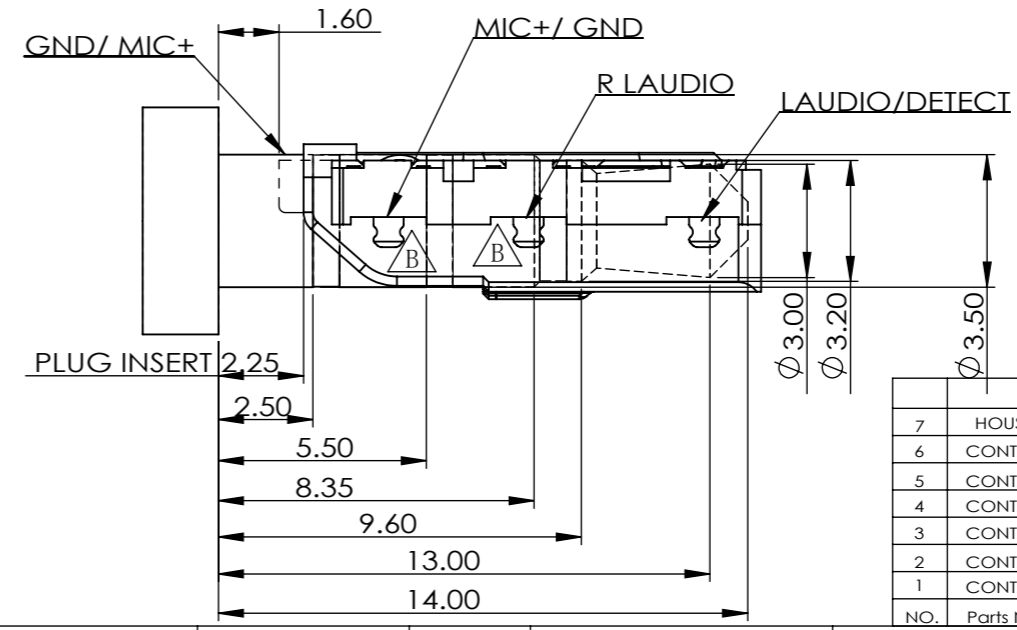
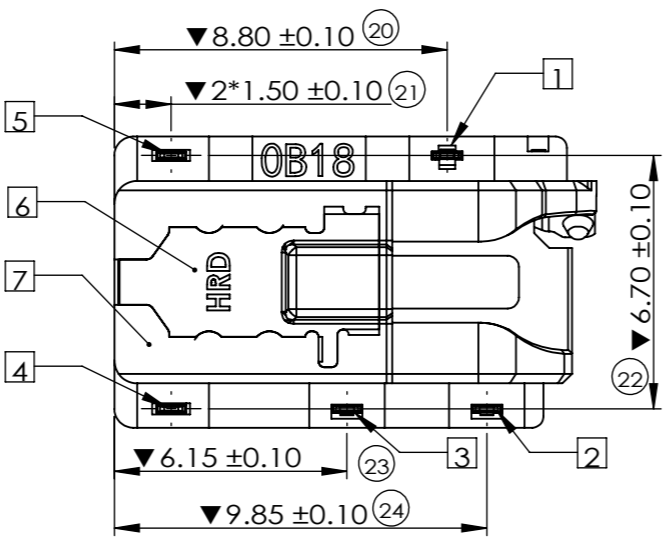
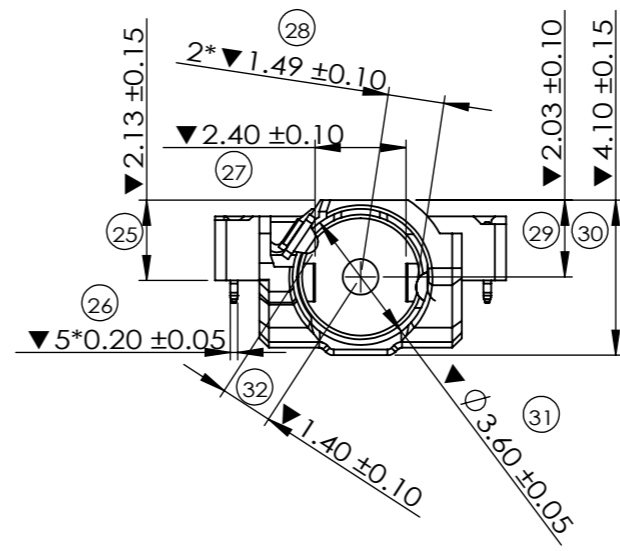
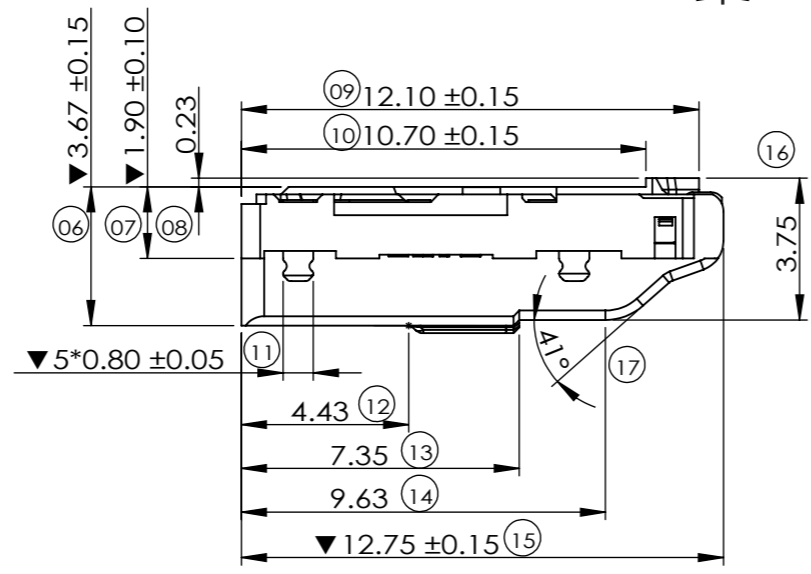
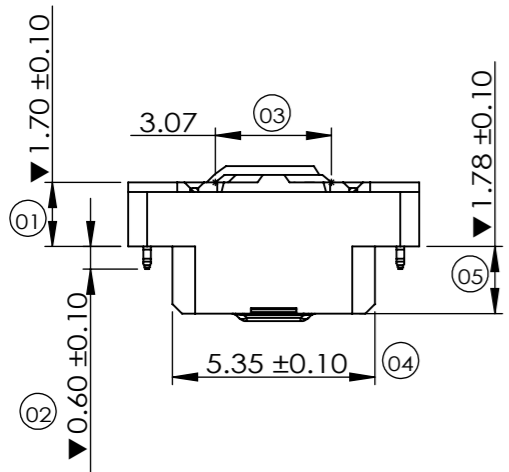
机壳需做避位
端子周围预留
0.15Min间隙

19 ▼0.04 ±0.10(端子头部至胶面距离)

NO.	DESCRIPTION
1	GND / MIC+
2	MIC+ / GND
3	R AUDIO
4	L AUDIO / DETECT
5	DETECT / L AUDIO



PCB LAYOUT(TOP VIEW)
SCALE 5 : 1(TOLERANCE±0.05)



NO.	Parts Name	Q'ty	Material	Finish	Remarks
7	HOUSING	1	PA9T	UL94 V0	Black
6	CONTACT-6	1	SUS304-H		T=0.15
5	CONTACT-5	1	SUS304-3/4H	Ni+Au	T=0.20
4	CONTACT-4	1	SUS304-3/4H	Ni+Au	T=0.20
3	CONTACT-3	1	C5210-H	Ni+Au	T=0.20
2	CONTACT-2	1	C5210-H	Ni+Au	T=0.20
1	CONTACT-1	1	C5210-H	Ni+Au	T=0.20

NOTES:
1.MATERIAL:
HOUSING:PA 9T,BLACK,UL 94 V-0
CONTACT:SEE TABLE
2.FINISH:
15u" Min Au PLATING ON CONTACT AREA
1u" Min Au PLATING ON SOLDER AREA
50u" Ni UNDER PLATING OVER ALL
3.ALL DIMENSIONS MARKED ▼ MUST BE CONTROLLED BY QC
4.ALL DIMENSIONS MARKED (XX) MUST BE MEASURE BY FAI
5.PRODUCT SPECIFICATIONS:
5-1 WITHSTANDING VOLTAGE: 500V AC/MINUTE
5-2 CONTACT RESISTANCE: 50 mΩ Max.
5-3 INSULATION RESISTANCE: 1000 MΩ Min.
5-4 BEFORE DURABILITY : MATING FORCE : 5-20 N.
UNMATING FORCE : 5-20 N.
5-5 AFTER DURABILITY:MATING FORCE : 3-20 N.
UNMATING FORCE:3-20 N.
5-6 OPERATION TEMPERATURE : -55° TO +85°
5-7 STORAGE TEMPERATURE: -40° TO +85°
5-8 DURABILITY : 5000 CYCLES

REV.	ECN NO.	DESCRIPTION	DATE	REV.	A	FINISH: SEE NOTE
B	E1906312A	优化产品结构	06/27/2019	SCALE:	5 / 1	
A		NEW	04/18/2019	SHEET:	1 / 1	TITLE: Customer Drawing

DRAW:	PART NO:	PH139-0B18C41A
CHECKED:	NAME:	∅3.50MM PHONE JACK CONN.
APPROVE:	DRAWING NO:	C-PH139-0001

