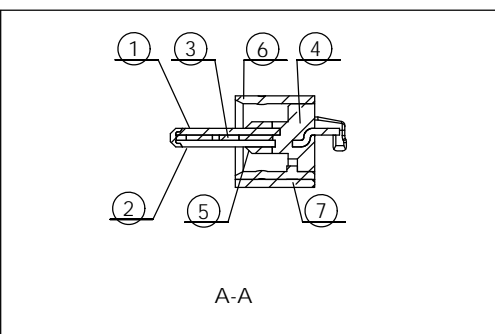
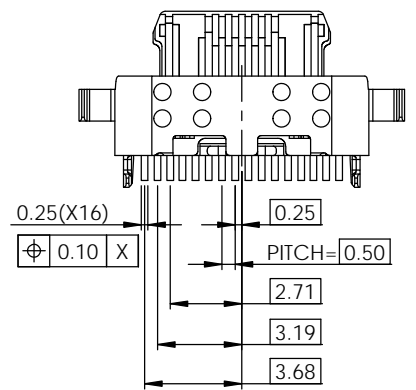
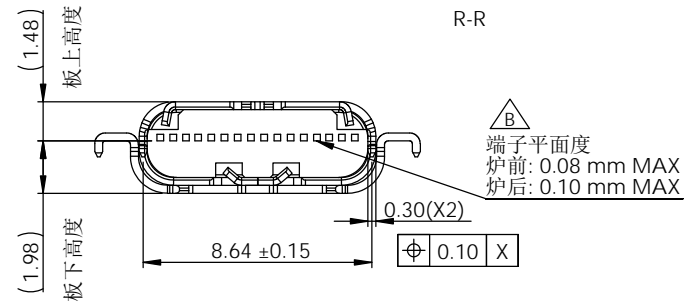
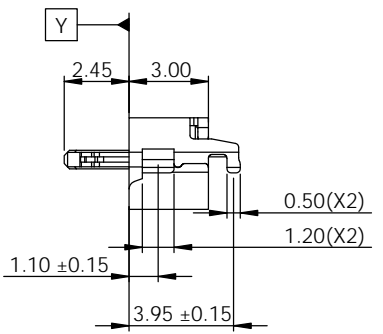
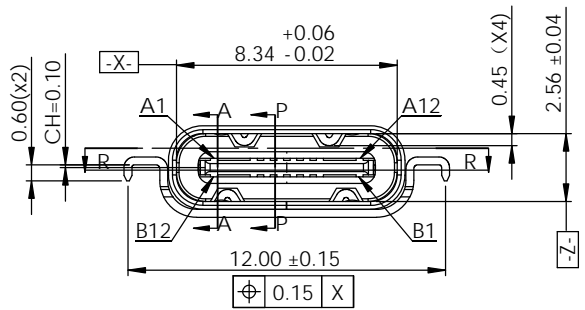
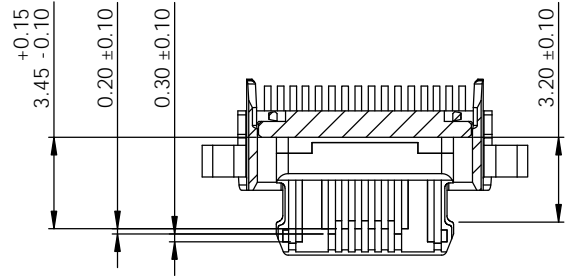


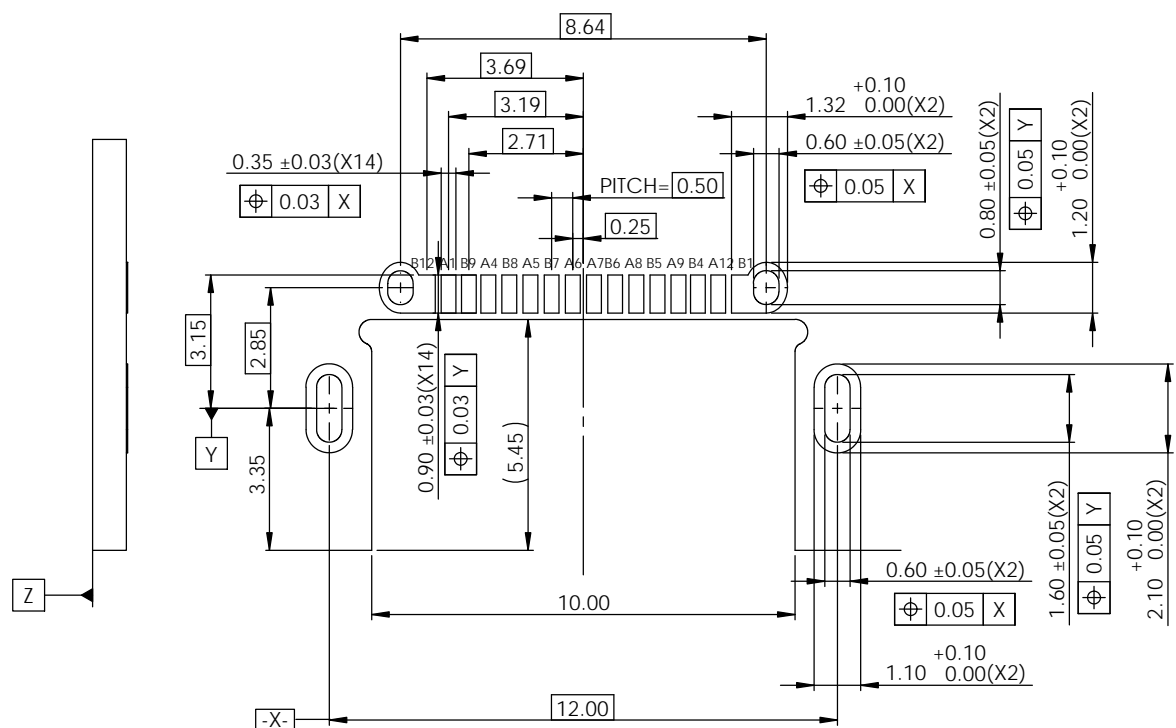
PIN ASSIGNMENT											
A1	A2	A3	A4	A5	A6	A7	A8	A9	A10	A11	A12
GND	SSRXp1	SSRXq1	VBUS	CC1	Dp1	Dn1	SBU1	VBUS	SSRXn2	SSRXp2	GND
GND	SSRXp1	SSRXn1	VBUS	SBU2	Dn2	Dp2	CC2	VBUS	SSRXq2	SSRXp2	GND
B12	B11	B10	B9	B8	B7	B6	B5	B4	B3	B2	B1



7	OTHER SHELL	1	UC8-SN105R00	SUS304-1/2H /Ni 50-120u"
6	SHELL	1	UC8-SN005R00	SUS304-1/2H /Ni 50-120u"
5	MOLIDING2	1	UC8-MB005R02	PA46-X33S UL94V-0
4	MOLIDING1	1	UC8-MB005R01	PA46-X33S UL94V-0
3	GND	1	UC8-GN000R00	SUS301-H /清洗
2	DOWN CONTACT	8	UC8-TN005R01	C18400-R540 /Au PLATED
1	UP CONTACT	8	UC8-TN005R00	C18400-R540 /Au PLATED
ITEM	NAME	Q'TY	PART	MATERIAC/FINISH

REV.	ECN NO.	DESCRIPTION	DATE	UNITS: mm	GENERAL TOLERANCE	DRAW:	PART NO:
B		增加炉前炉后平面度	11/17/2020'	DATE: 02/20/2019'	X. ±0.20 X. ±2.00 .X ±0.15 .X ±1.00 .XX ±0.10 .XX ±0.50 .XXX ±0.05	Nan Yang	UC8-0X010XR1
A1		优化止挡点强度	03/04/2019'	SCALE: 5 / 1		CHECKED: [Signature]	NAME: TYPE C REC 16PIN CH=0.1 MID MOUNT TYPE
A0		NEW	02/20/2019'	SHEET: 1 / 2	TITLE: UCS CUSTOMER DRAWING	APPROVE:	DRAWING NO: C-UC8-05-00
				REV. B	FINISH: SEE NOTE		


昆山捷皇电子精密科技有限公司
 HONGRIDA ELECTRONIC TECHNOLOGY CO., LTD.



RECOMMENDED PCB LAYOUT
PCB THICKNESS IS 0.8mm
DEFAULT TOLERANCE +/-0.05

NOTES:

- 1.0. ELECTRICAL CHARACTERISTICS
 - 1.1. LOW LEVEL CONTACT RESISTANCE:
40m ohm MAX FOR ALL CONTACT .
50m ohm MAX. AFTER ENVIRONMENT TEST
 - 1.2. DIELECTRIC WITHSTANDING VOLTAGE
100 VAC FOR 1 MINUTE SEA LEVEL
 - 1.3. INSULATION RESISTANCE
100meg ohm MIN
 - 1.4. CURRENT RATING
VBUS AND GND CONTACTS RATED AT 2A EA.
PARALLELED FOR A TOTAL OF 8A
- 2.0. MECHANICAL CHARACTERISTICS:
 - 2.1. INSERTION FORCE: 20N MAX
 - 2.2. EXTRACTION FORCE 1-1000 CYCLES 8N MIN. 20 N MAX.
EXTRACTION FORCE 1001-10000 CYCLES 6N MIN. 20 N MAX.
 - 2.3. DURABILITY : 10,000 CYCLES
 - 3.0. OPERATING TEMPERATURE: -55° TO +85°

CONNECTOR NUMBER CODE

UC8- 0 X 010 X R 1
1 2 3 4 5

1:PRODUCT DESCRIPTION:
UC8:USB 2.0 TYPE C REC MIDDLE MOUNT TYPE

2:PRODUCT TYPE
O:SMT TYPE

3:COLOUR OF HOUSING
B:BLACK
W:WHITE

4:CENTER HIGH
010:CH=-0.10mm

5:CONTACT PLATING
F: GOLD FLASH ON CONTACT AREA
1: Au 5u" ON CONTACT AREA
2: Au 15u" ON CONTACT AREA
3: Au 30u" ON CONTACT AREA

				UNITS: mm	GENERAL TOLERANCE		DRAW: Nan Yang	PART NO: UC8-0X010XR1
B	-----	增加炉前炉后平面度	11/17/2020'	DATE: 02/20/2019'	X. ±0.20	X." ±2.00"	CHECKED:	NAME: TYPE C REC 16PIN CH=-0.1 MID MOUNT TYPE
A1	———	优化止挡点强度	03/04/2019'	SCALE: 8 / 1	.X ±0.15	.X" ±1.00"	APPROVE:	DRAWING NO: C-UC8-05-00
A	———	NEW	02/20/2019'	SHEET: 2 / 2	.XX ±0.10	.XX" ±0.50"	TITLE: UC8 CUSTOMER DRAWING	
REV.	ECN NO.	DESCRIPTION	DATE	REV. B	FINISH: SEE NOTE	昆山捷皇电子精密科技有限公司 HONGRIDA ELECTRONIC TECHNOLOGY CO., LTD.		