

1 2 3 4 5 6 7 8

A

B

C

D

E

F

A

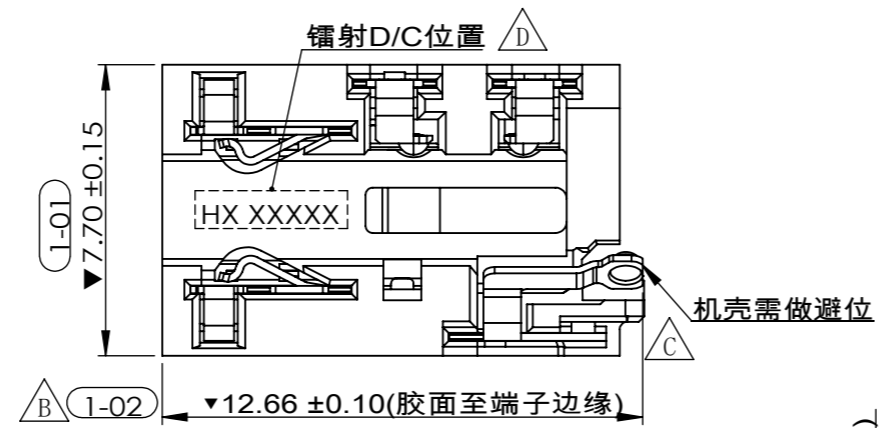
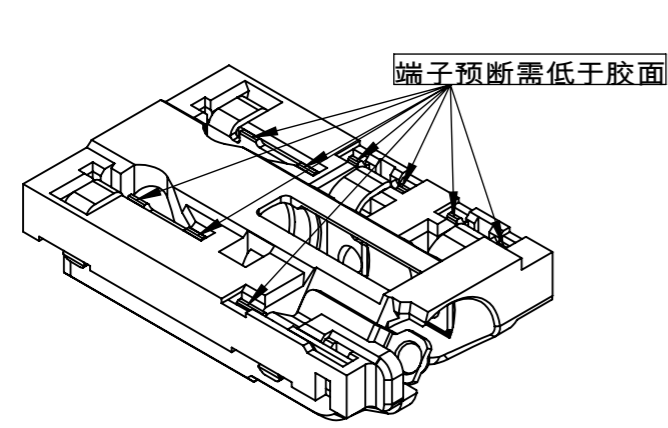
B

C

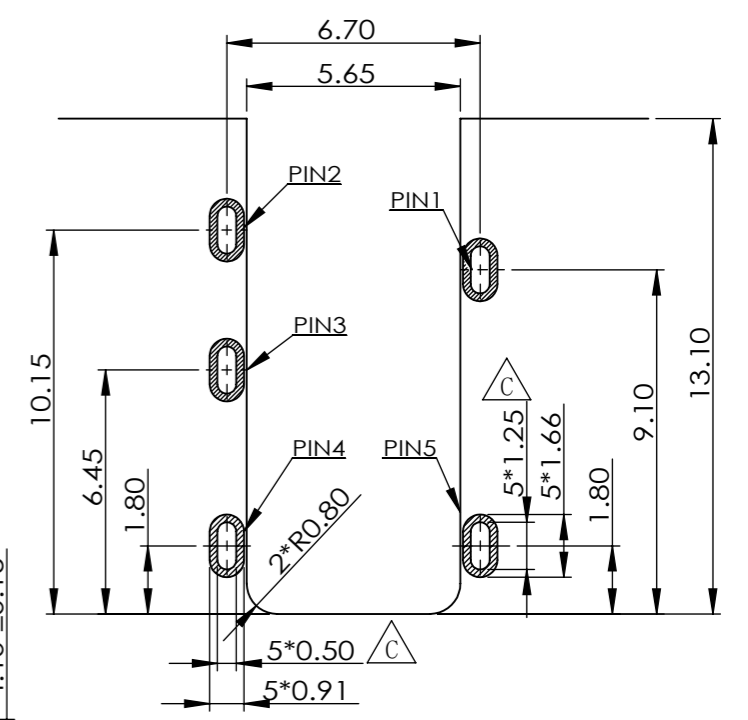
D

E

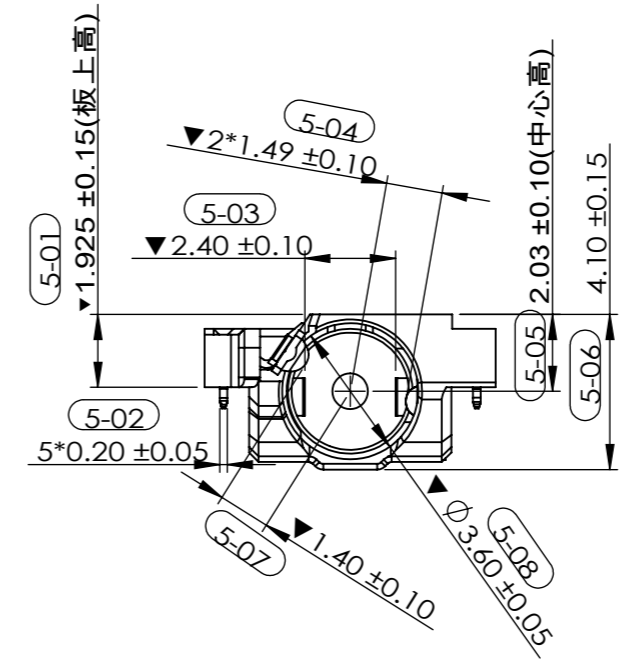
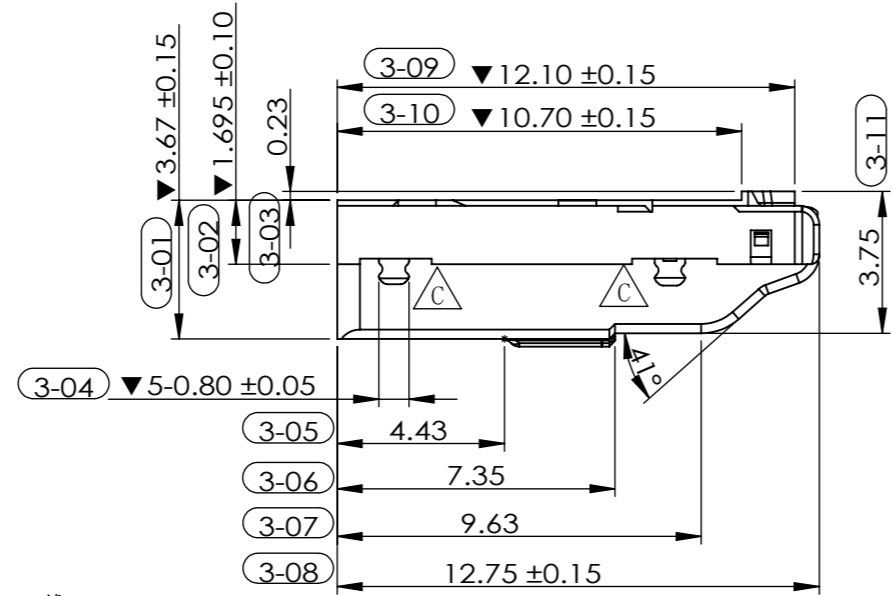
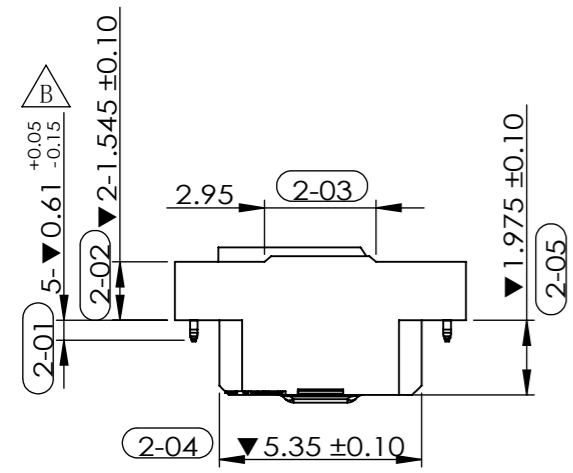
F



NO.	DESCRIPTION
1	GND / MIC+
2	MIC+ / GND
3	R AUDIO
4	L AUDIO / DETECT
5	DETECT / L AUDIO



PCB LAYOUT(TOP VIEW)
SCALE 3 : 1(TOLERANCE±0.05)



D/C PART NO. :
H X X X X X

H=HRD

电镀 : A=Au 5U"
B=Au 15U"

年 : 7=2017年
8=2018年
9=2019年

线别 : A=A线、B=B线.....
班别 : 1=白班
2=夜班

日 : 1=1日, 2=2日.....
A=10日, B=11日.....
(WITH OUT IfiOfiZ)

月 : 1=1月, 2=2月.....
A=10月, B=11月.....

NOTES:

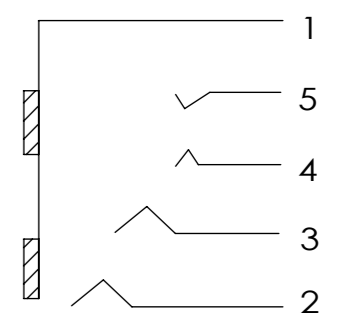
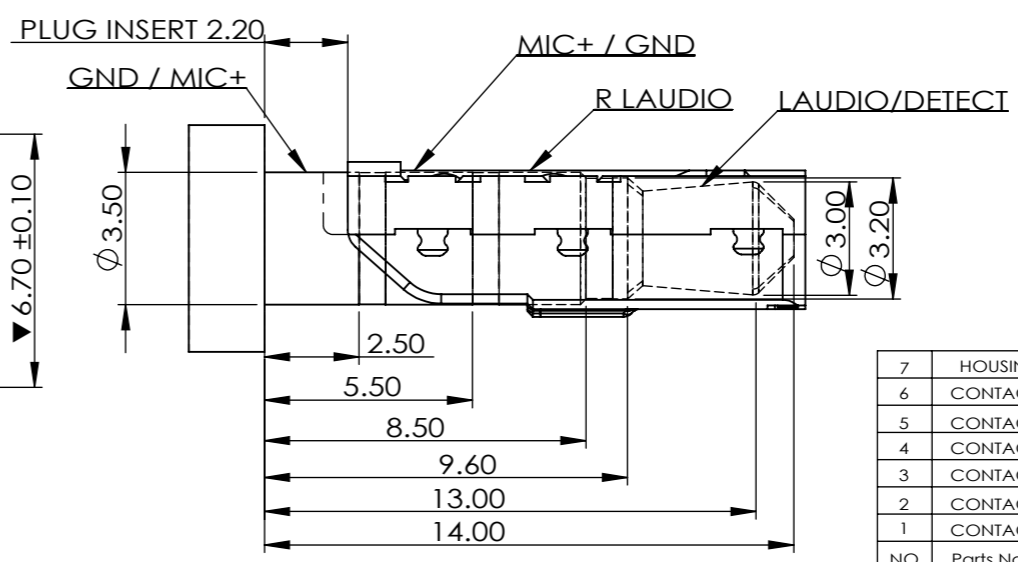
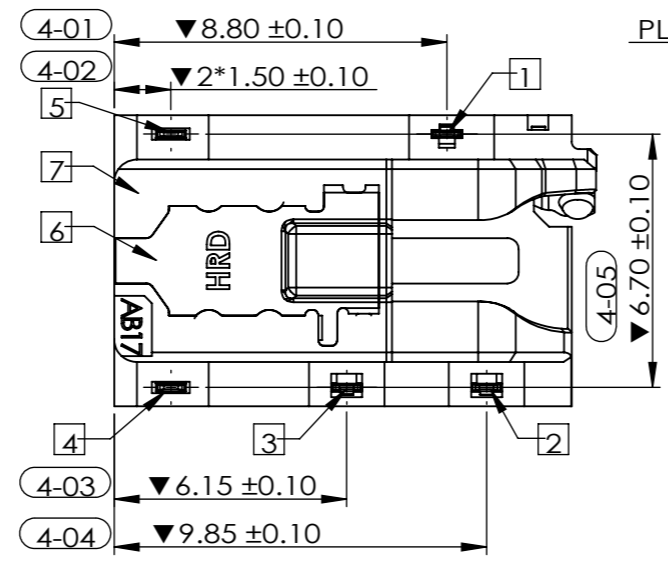
1.MATERIAL:
HOUSING:PA 9T,BLACK,UL 94 V-0
CONTACT:SEE TABLE

2.FINISH:
15u" Min Au PLATING ON CONTACT AREA
1u" Min Au PLATING ON SOLDER AREA
50u" Ni UNDER PLATING OVER ALL

3.ALL DIMENSIONS MARKED ▼ MUST BE CONTROLLED BY QC

4.ALL DIMENSIONS MARKED (XX) MUST BE MEASURE BY FAI

5.PRODUCT SPECIFICATIONS:
5-1 WITHSTANDING VOLTAGE: 500V AC/MINUTE
5-2 CONTACT RESISTANCE: 50 mΩ Max.
5-3 INSULATION RESISTANCE: 1000 MΩ Min.
5-4 BEFORE DURABILITY : MATING FORCE : 7-20 N.
UNMATING FORCE : 7-20 N.
5-5 AFTER DURABILITY:MATING FORCE : 3-20 N.
UNMATING FORCE:3-20 N.
5-6 OPERATION TEMPERATURE : -55° TO +85°
5-7 DURABILITY : 5000 CYCLES



NO.	Parts Name	Q'TY	Material	Finish	Remarks
7	HOUSING	1	PA9T	UL94 V0	Black
6	CONTACT-6	1	SUS304-H		T=0.15
5	CONTACT-5	1	SUS304-3/4H	Ni+Au	T=0.20
4	CONTACT-4	1	SUS304-3/4H	Ni+Au	T=0.20
3	CONTACT-3	1	C5210-H	Ni+Au	T=0.20
2	CONTACT-2	1	C5210-H	Ni+Au	T=0.20
1	CONTACT-1	1	C5210-H	Ni+Au	T=0.20

REV.	ECN NO.	DESCRIPTION	DATE	REV.	FINISH:	SEE NOTE	UNIT:	mm	GENERAL TOLERANCE	DRAW:	PART NO:
D	E1908452A	图面增标序号、D/C; 修改插拔力规格	08/12/2019	A	DATE:	07/06/2018	X.	±0.25	X.°	±2.00°	PH92-AB17C41A
C	E1811533A	优化锡脚结构	11/26/2018	A	SCALE:	5 / 1	.X	±0.20	.X°	±1.00°	NAME:
B	E1810443A	优化产品结构	10/08/2018	A	SCALE:	5 / 1	.XX	±0.15	.XX°	±0.50°	DRAWING NO:
A		NEW	07/06/2018	A	SHEET:	1 / 1	.XXX	±0.08			C-PH92-620
REV.	ECN NO.	DESCRIPTION	DATE	REV.	FINISH:	SEE NOTE					

鸿日达科技股份有限公司
HONGRIDA ELECTRONIC TECHNOLOGY CO.,LTD.