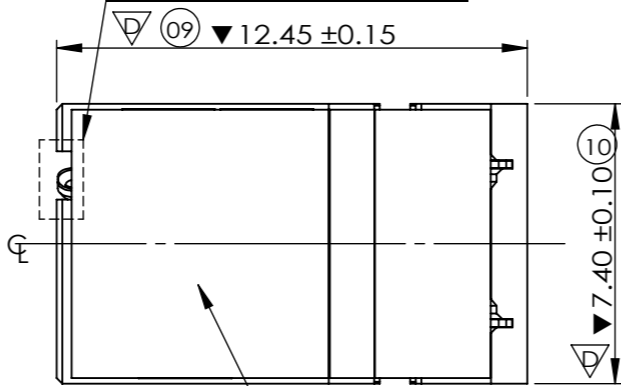
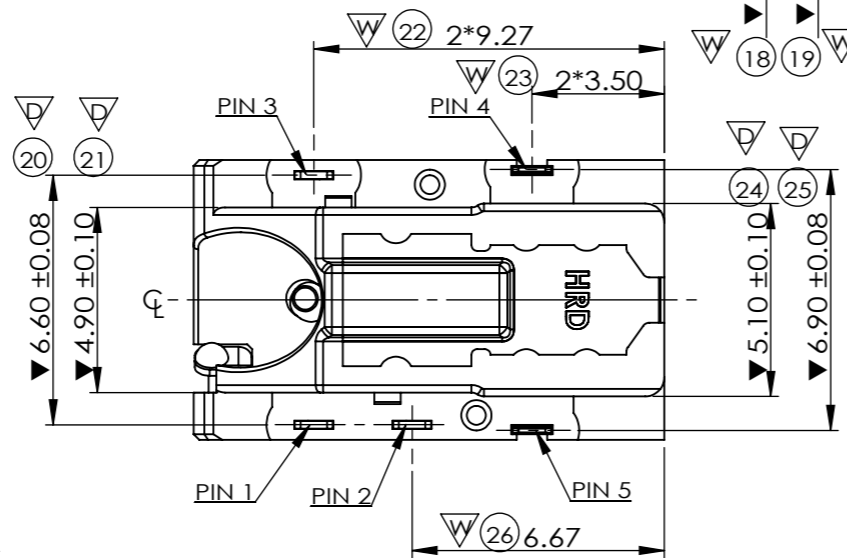
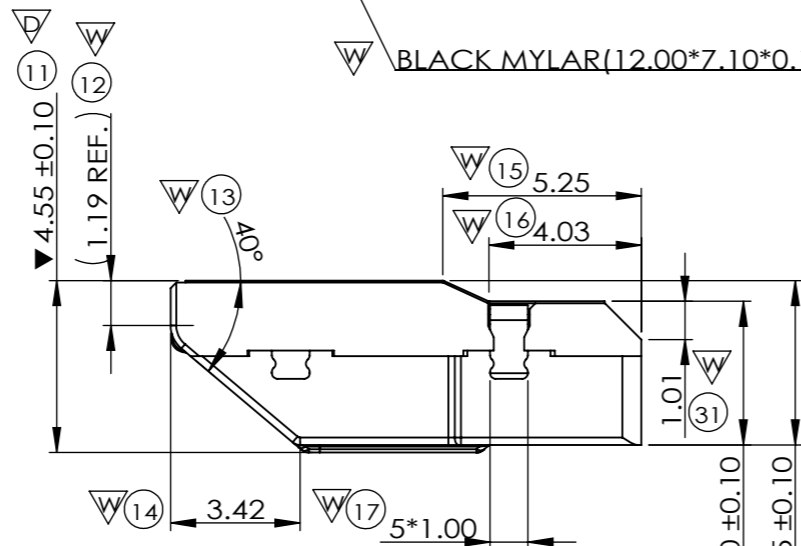


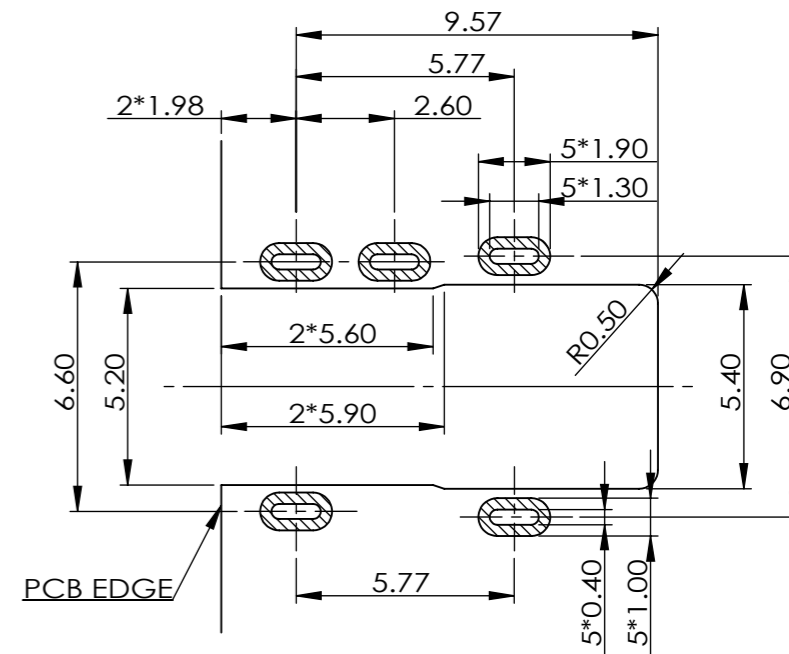
弹片头部凸出塑胶面0.10MAX.  
建议机壳处避位



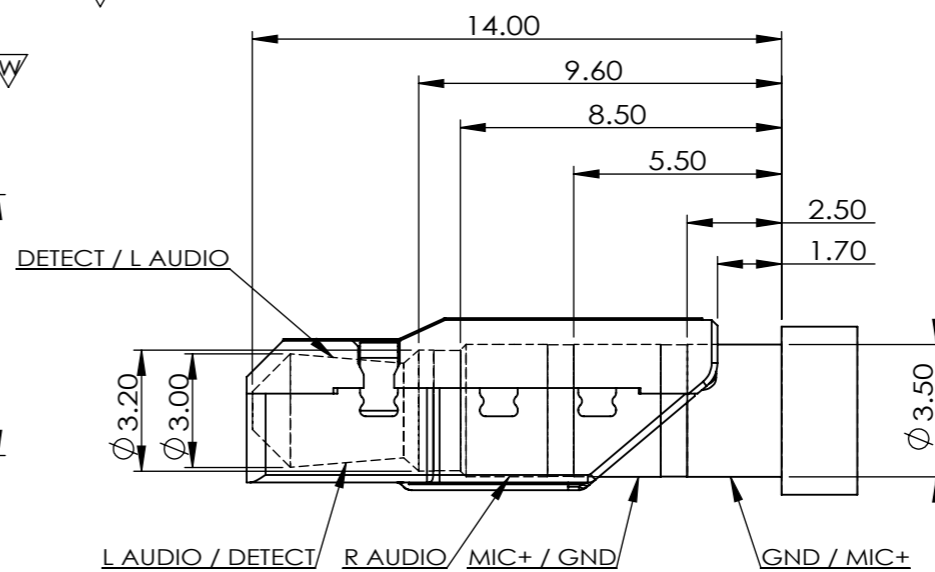
BLACK MYLAR(12.00\*7.10\*0.10mm)



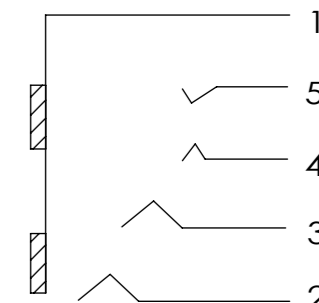
NO.	DESCRIPTION
1	GND / MIC+
2	MIC+ / GND
3	R AUDIO
4	L AUDIO / DETECT
5	DETECT / L AUDIO



P.C.B LAYOUT ( TOLERANCE:±0.05 )



Product application:  
The spring working position when Plug-In



NOTES:

1.MATERIAL:  
HOUSING:PA 9T,BLACK,UL 94HB  
TERMINAL:1#/2#/3# COPPER ALLOY,T=0.20mm  
4#/5# STAINLESS STEEL,T=0.20mm

2.FINISH:  
CONTACT:AU 15u"Min PLATING ON CONTACT AREA  
Au 1u"Min PLATING ON SOLDER TAILS AREA  
80u" NI MIN UNDERPLATED OVER ALL

3.ALL DIMENSIONS MARKED ▼ MUST BE CONTROLLED BY QC  
4.ALL DIMENSIONS MARKED ▽ MUST BE CONTROLLED EVERYDAY BY QC.  
MARKED ▽ PER WORK WEEK AND MARKED ▽ PER MONTH MUST BE CONTROLLED.

5.ALL DIMENSIONS MARKED (XX) MUST BE MEASURE BY FAI

6.PRODUCT SPECIFICATIONS:  
6-1 WITHSTANDING: 500VAC/MINUTE  
6-2 CONTACT RESISTANCE: 50 MILLIOHM (initial) Max.  
6-3 INSULATION RESISTANCE: 100 MEGOHM Min.  
6-4 MATING AND UNMATING FORCE : 0.5-2.0 Kgf Max. (BTFORE DURABILITY)  
6-5 MATING AND UNMATING FORCE : 0.5-2.0 Kgf Max. (AFTER DURABILITY)  
6-6 OPERATION TEMPERATURE : -25° TO +85°  
6-7 STORAGE TEMPERATURE: -25° TO +85°  
6-8 DURABILITY : 5000 CYCLES

REV.	ECN NO.	DESCRIPTION	DATE	REV.	A	FINISH: SEE NOTE	UNITS: mm	GENERAL TOLERANCE	DRAW:	PART NO:
								X. ±0.20 .X ±0.15 SCALE: 5/1 .XXX ±0.05		PH52-0B20C46M
								X.° ±2.00° .X.° ±1.00°	CHECKED:	TITLE: ø 3.50MM PHONE JACK CONN.
									APPROVE:	DRAWING NO:
A		NEW	08/14/2017							



昆山捷皇电子精密科技有限公司  
HONGRIDA ELECTRONIC TECHNOLOGY CO.,LTD.