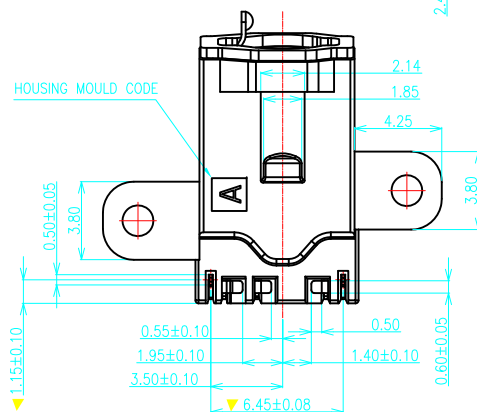
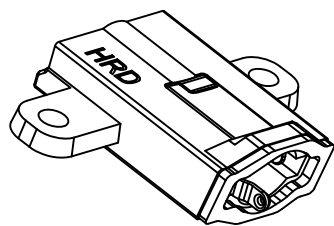
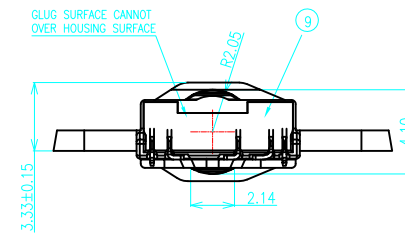
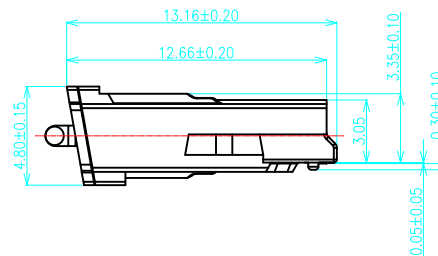
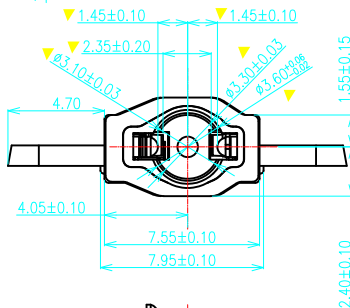
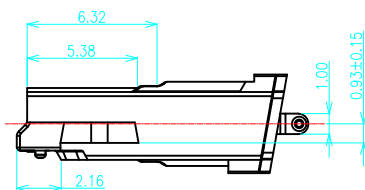
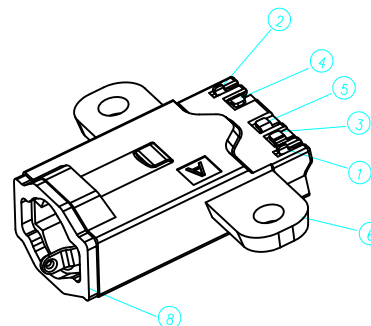
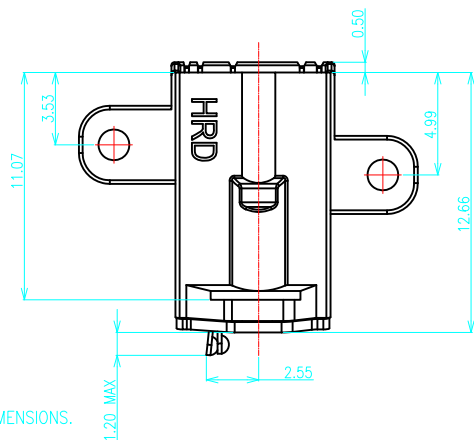


NOTES:

1. ELECTRICAL CHARACTERISTICS:
 - 1.1 RATED VOLTAGE: 12 VDC
 - 1.2 RATED CURRENT: 1A
 - 1.3 CONTACT RESISTANCE: 50 mΩ MAX. INITIAL DELTA 50 mΩ MAX. AFTER TEST
 - 1.4 INSULATION RESISTANCE: 1000 MΩ MIN.
 - 1.5 DIELECTRIC WITHSTANDING VOLTAGE: 500 VAC
2. MECHANICAL CHARACTERISTICS:
 - 2.1 INSERTION & WITHDRAWAL FORCE: 5N~20N FOR INITIAL AND 4N~20N FOR AFTER.
 - 2.2 DURABILITY: 5000 CYCLES
3. ENVIRONMENTAL CHARACTERISTICS:
 - 3.1 OPERATING TEMPERATURE: -25° TO +85°
 - 3.2 STORAGE TEMPERATURE: -40° TO +85°
4. DIMENSIONS WITH MARK "▼" INDICATE THE CRITICAL DIMENSIONS.



9	GLUE	-	EPOXY	-
8	O-RING	I	SILICON	-
7	COVER	I	PA9T	UL94 V-0/BLACK
6	HOUSING	I	PA9T	UL94 V-0/BLACK
5	CONTACT 5	I	SUS301R-H; T=0.2	CONTACT AREA: Au 15u" MIN SOLDER AREA: G/F NI 50u" UNDERPLATED OVERALL
4	CONTACT 4	I	SUS301R-H; T=0.2	
3	CONTACT 3	I	C5210R-H; T=0.2	
2	CONTACT 2	I	C5210R-H; T=0.2	
1	CONTACT 1	I	C5210R-H; T=0.2	
No.	PART NAME	Q'TY	MATERIAL	FINISH/OTHERS

				UNITS: mm	GENERAL TOLERANCE		DRAW: Tonson.Tung	PART NO. PH91-0B3C48W
				DATE: 2018.05.22	X. ±0.20	X' ±2.00'	CHECKED:	NAME WATERPROOF JACK
				SCALE: 1:5	.X ±0.15	.X' ±1.00'	APPROVE:	DRAWING NO. A-PH91-0000
X0	--	NEW	2018/05/22	SHEET: 1/2	.XX ±0.10	.XX' ±0.5'	TITLE ASSEMBLE DRAWING	
REV.	ECN NO.	DESCRIPTION	DATE	REV. X0	.XXX ±0.05	.XX' ±0.5'	FINISH SEE NOTE	
							昆山捷皇电子精密科技有限公司 HONGRIDA ELECTRONIC TECHNOLOGY CO.,LTD.	