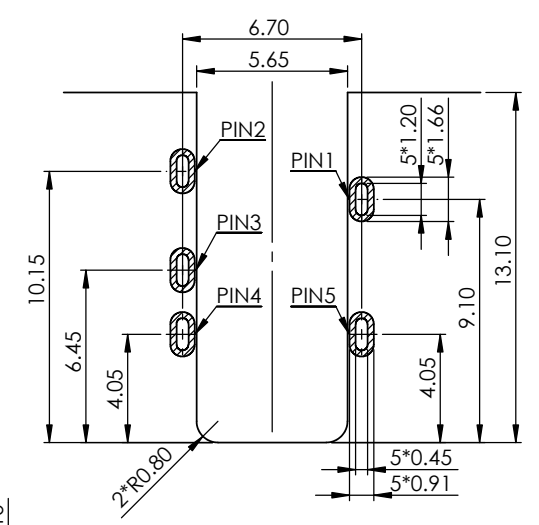
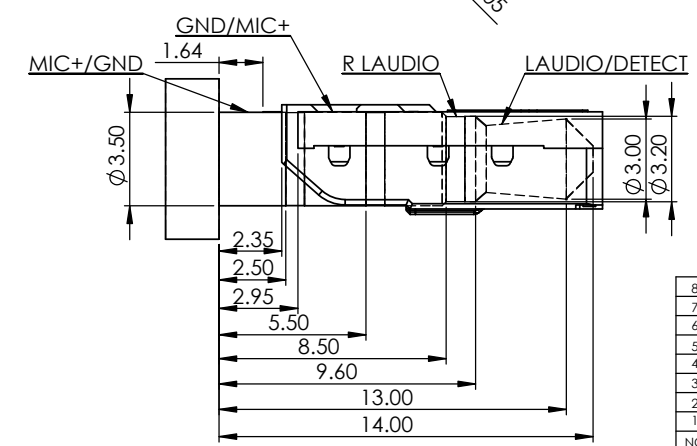
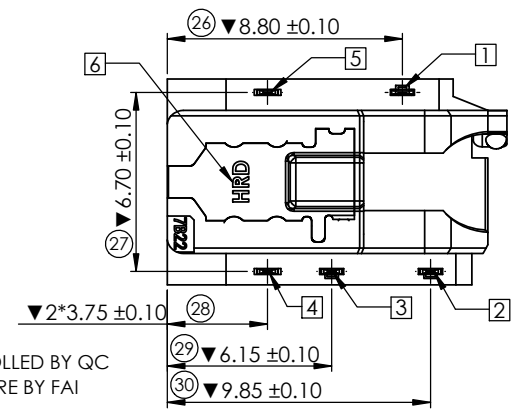
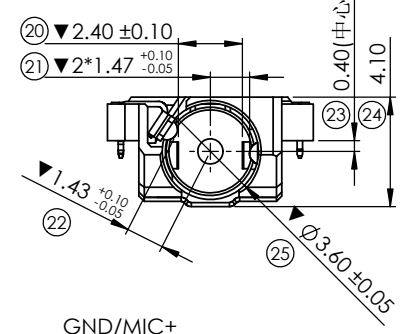
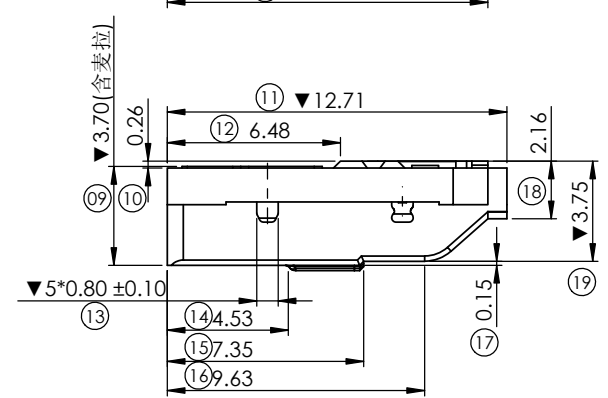
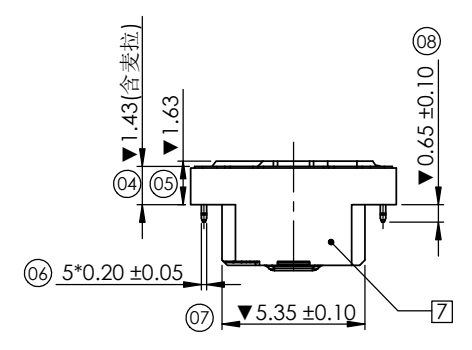


NO.	DESCRIPTION
1	GND / MIC+
2	MIC+ / GND
3	R AUDIO
4	L AUDIO / DETECT
5	DETECT / L AUDIO



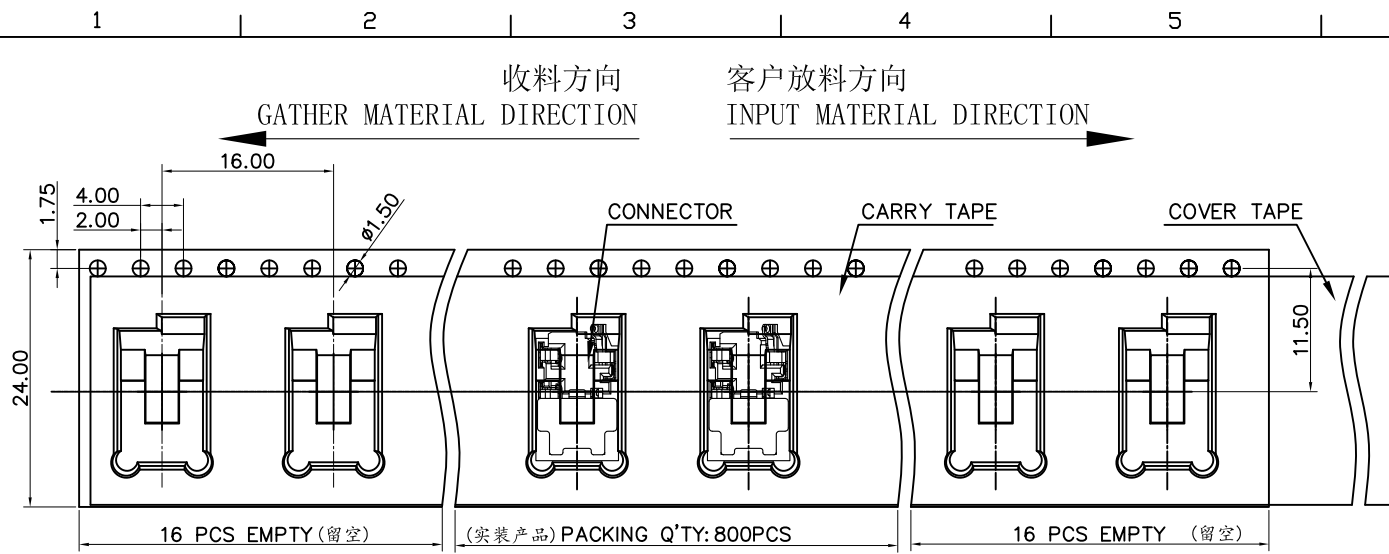
PCB LAYOUT  
SCALE 5: 1 (TOLERANCE±0.05)



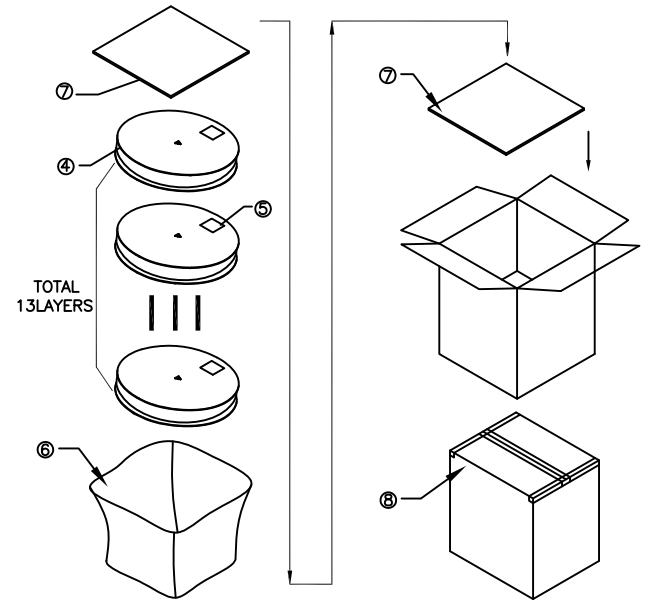
NOTES:  
1.MATERIAL:  
HOUSING:PA 9T,BLACK,UL 94 V-0  
CONTACT:SEE TABLE  
2.FINISH:  
15u" Min Au PLATING ON CONTACT AREA  
1u" Min Au PLATING ON SOLDER AREA  
50u" Ni UNDER PLATING OVER ALL  
3.ALL DIMENSIONS MARKED ▼ MUST BE CONTROLLED BY QC  
4.ALL DIMENSIONS MARKED (X) MUST BE MEASURE BY FAI  
5.PRODUCT SPECIFICATIONS:  
5-1 WITHSTANDING VOLTAGE: 500V AC/MINUTE  
5-2 CONTACT RESISTANCE: 50 mΩ Max.  
5-3 INSULATION RESISTANCE: 1000 MΩ Min.  
5-4 BEFORE DURABILITY: MATING FORCE: 5-20 N.  
UNMATING FORCE: 5-20 N.  
5-5 AFTER DURABILITY:MATING FORCE: 4-20 N.  
UNMATING FORCE:4-20 N.  
5-6 OPERATION TEMPERATURE: -55° TO +85°  
5-7 DURABILITY : 5000 CYCLES

NO.	Parts Name	Q'	TY	Material	Finish	Remarks
8	mylar	1		PET		Black
7	HOUSING	1		PA9T	UL94 V0	Black
6	CONTACT-6	1		SUS304-H		T=0.15
5	CONTACT-5	1		SUS304-3/4H	Ni+Au	T=0.20
4	CONTACT-4	1		SUS304-3/4H	Ni+Au	T=0.20
3	CONTACT-3	1		C5210-H	Ni+Au	T=0.20
2	CONTACT-2	1		C5210-H	Ni+Au	T=0.20
1	CONTACT-1	1		C5210-H	Ni+Au	T=0.20

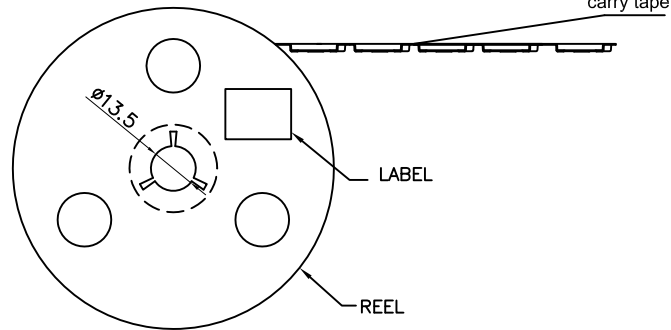
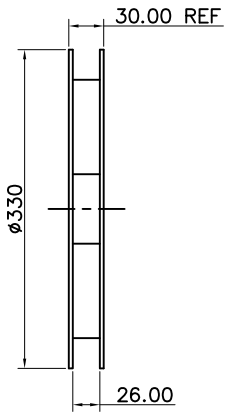
REV.	ECN NO.	DESCRIPTION	DATE	UNITS: mm	GENERAL TOLERANCE	DRAW:	PART NO:
					X. ±0.25 .X' ±0.20 .XX ±0.15 .XXX ±0.08		PH92-7B22C41M
				DATE: 05/20/2018	X. ±2.00 .X' ±1.00 .XX ±0.50 .XXX ±0.08	CHECKED:	NAME: φ3.50MM PHONE JACK CONN.
				SCALE: 5 / 1		APPROVE:	DRAWING NO: C-PH92-0700
A		NEW	05/20/2018	SHEET: 1 / 1	TITLE: Customer Drawing	昆山捷皇电子精密科技有限公司 HONGRIDA ELECTRONIC TECHNOLOGY CO., LTD.	
				REV. A	FINISH: SEE NOTE		



P-PH92-7B22C41M包装示意图



客户放料方向  
INPUT MATERIAL DIRECTION



BOM:

NO.	NAME	P/N	SPEC.	Q'TY
①	PHONE JACK	PH92-7B22C41M	DIP	10400PCS
②	CARRY TAPE	R24-PH924200	PET,W=24.0,P=16.0	173.056m
③	COVER TAPE	C24-00100003	PE,W=21.3,T=0.05	173.056m
④	REEL	P24-01100000	φ330,H=24.0	13PCS
⑤	LABEL	L01-01000000		13PCS
⑥	PE袋	G01-00907007	900*700	1PCS
⑦	隔板	Y03-40036000	330*330*3	2PCS
⑧	纸箱	W01-01353539	350*350*390	1PCS

3				
2				
1	R24-PH924200	PET	WHITE	
NO.	DESCRIPTION	MAT,L	COLOR	REMARK

				UNITS: mm	GENERAL TOLERANCE		DRAW:	PART NO: PH92-7B22C41M
				DATE: 05/25'2018	X. ±0.20	X.' ±2.00'	CHECKED:	TITLE: φ 3.5MM PHONE JACK CONN.
				SCALE: N/A	.X ±0.15	.X' ±1.00'	APPROVE:	DRAWING NO:
A		NEW	05/25'2018	SHEET: 1/1	.XX ±0.10	.XX' ±0.50'		
REV.	ECN NO.	DESCRIPTION	DATE	REV. A	FINISH:			


 昆山捷皇电子精密科技有限公司  
 HRD ELECTRONIC TECHNOLOGY CO.,LTD.